

# Plumbing Hardware

	<b>Pre-rinse Sprays :: Aquajet Range</b> <b>102-105</b> Sprays & commercial faucets
	<b>Aquajet :: Retractable Wash Down Hose</b> <b>105</b> Wall mounted, heavy duty
	<b>Pre-rinse Sprays :: Gastro Technix Range</b> <b>106-107</b> With gas strut return
	<b>Sink Bowls :: Waste Kits :: Accessories</b> <b>108-109</b> 59 different types & sizes available from stock
	<b>Wash Hand Basins</b> <b>110</b> Standard, knee-operated, electronic and portable
	<b>Waste Outlets :: Twist Handle</b> <b>111</b> For fast drainage
	<b>Grohe Taps &amp; Accessories</b> <b>111</b> High quality specification
	<b>Taps</b> <b>112-113</b> Bib taps, deck mixers, basin taps & sink taps
	<b>Aquajet :: Taps</b> <b>114-115</b> Commercial range
	<b>Infrared Taps</b> <b>116</b> Unique self-contained electronic hands free tap
	<b>Delabie :: Taps &amp; Soap Dispensers</b> <b>117</b> Taps, spouts & valves
	<b>Plumbing Accessories</b> <b>118</b> Valves, water hoses & Bain Marie drains

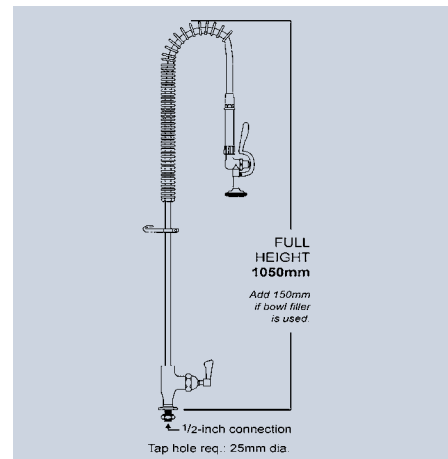
## Pre-rinse Sprays :: Aquajet Range



### ALL AQUAJET PRE-RINSE SPRAYS

- Half turn levers come as standard
- Optional chunky cross head taps are reliable and easy to use. £2 supplement per pair.
- Restraining device (AJPR-RS) recommended to relieve stress on joints and to aid compliance with WRAS requirements
- All metal connections reduce cracking, thread stripping and leaks
- Spray guns, hoses and other parts are all fully interchangeable with most other manufacturers' components
- Extra long 300mm wall brace is standard. Can be shortened to achieve the perfect fit
- Optional heads and spray patterns
- Fan blade head recommended if water pressure is low
- All models WRC /WRAS approved
- **Minimum operating pressure 1.5bar**

## Pre-rinse Spray :: Single pedestal, single feed

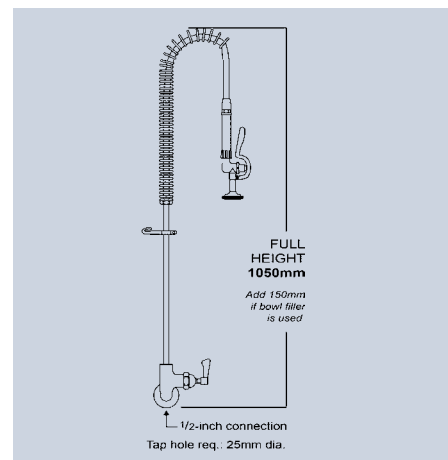


AJPR10 With cross head taps and optional bowl faucet BF1

**AJPR-10** Pre-rinse spray, single pedestal, single feed, pre-built

**AJPR-10CKD** Pre-rinse spray, single pedestal, single feed, kit form

## Pre-rinse Spray :: Wall mounted, single feed



AJPR15 With cross head taps

**AJPR-15** Pre-rinse spray, wall mounted, single feed, pre-built

**AJPR-15CKD** Pre-rinse spray, wall mounted, single feed, kit form

**AJWALLFIT** Required wall mounting kit

**Minimum operating pressure: 1.5 bar**

Aquajet  
Pre-rinse Sprays  
Are Available  
In Two Formats

Fully Assembled

OR

The Economical Kit Form

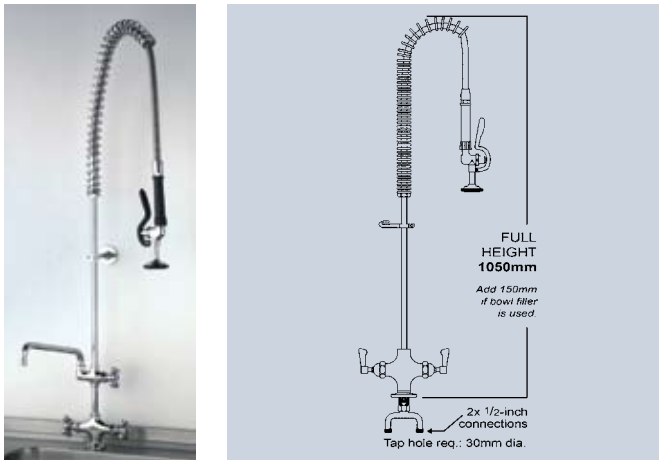
### FULLY ASSEMBLED

- Factory assembled
- Pressure and flow tested to 6 bar
- Guarantees performance - no leaks or missing parts
- Only takes minutes to make water connection
- So minimises installation time and cost
- No need to revisit the site for commissioning

### UNASSEMBLED - KIT FORM

- Supplied as easy to assemble kit form
- The most economical model
- Identical parts to fully assembled version

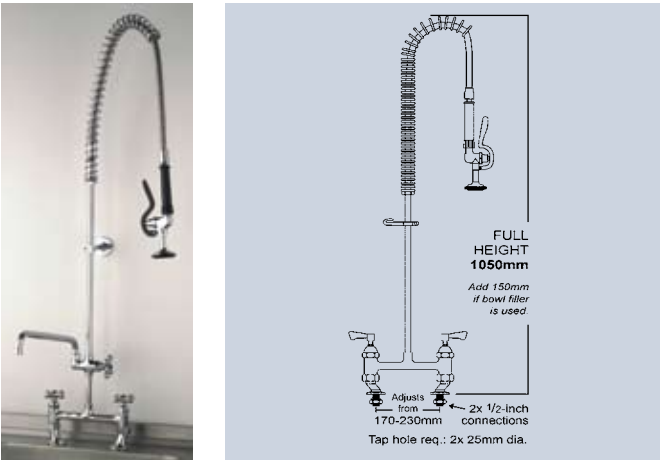
## Pre-rinse Spray :: Single pedestal, twin feed



AJPR20 With cross head taps and optional bowl faucet BF1

<b>AJPR-20</b>	Pre-rinse spray, single pedestal, twin feed, pre-built
<b>AJPR-20CKD</b>	Pre-rinse spray, single pedestal, twin feed, kit form

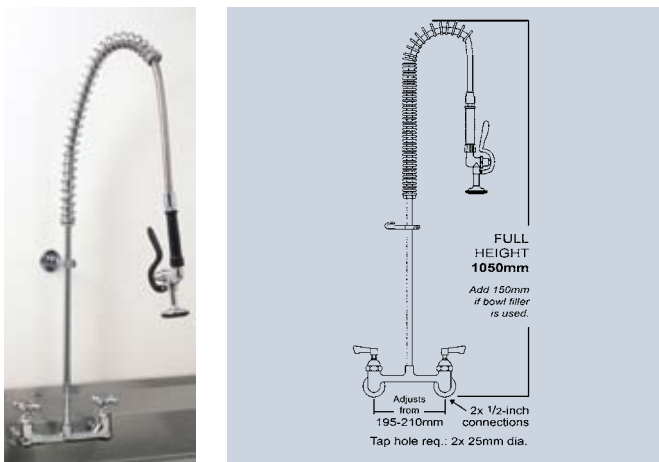
## Pre-rinse Spray :: Twin pedestal, twin feed



AJPR30 With cross head taps and optional bowl faucet BF1

<b>AJPR-30</b>	Pre-rinse spray, twin pedestal, twin feed, pre-built
<b>AJPR-30CKD</b>	Pre-rinse spray, twin pedestal, twin feed, kit form

## Pre-rinse Spray :: Wall mounted, Twin pedestal, twin feed



AJPR40 With cross head taps

<b>AJPR-40</b>	Pre-rinse spray, twin pedestal, twin feed, wall mounted, pre-built
<b>AJPR-40CKD</b>	Pre-rinse spray, twin pedestal, twin feed, wall mounted, kit form
<b>AJWALLFIT</b>	Required wall mounting kit

## Pre-rinse Spray :: Options



- Restraining device (AJPR-RS) recommended to relieve stress on joints and to aid compliance with WRAS requirements

<b>AJPR-RS</b>	Restraining device
----------------	--------------------

## Pre-rinse Spray :: Tap Options



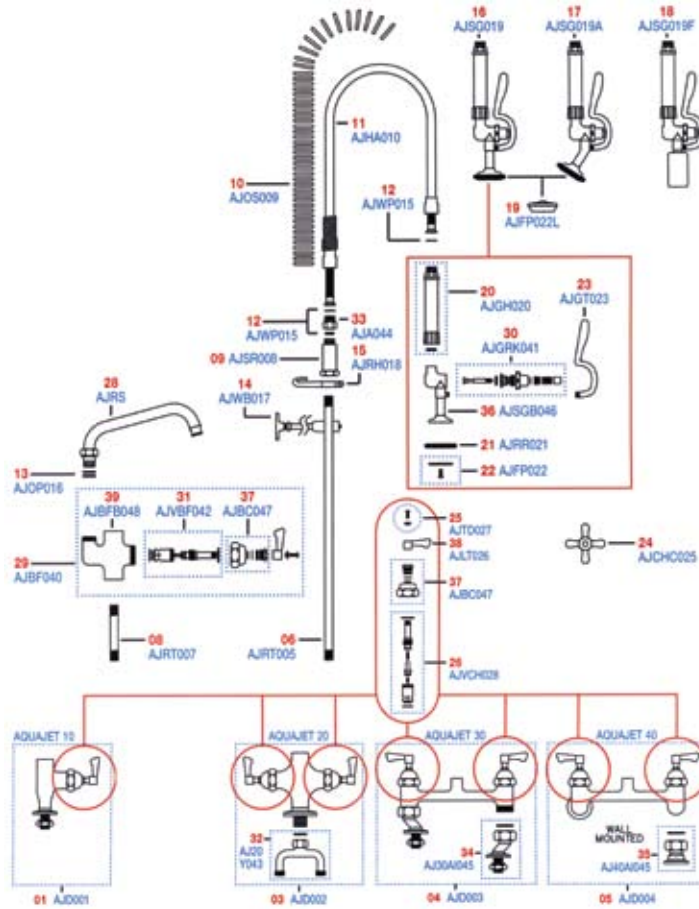
**OPTIONAL:** Cross Head Taps  
Please specify if required

**STANDARD:** Lever Taps

<b>BF1</b>	Optional bowl faucet, 6" spout, pre-built
<b>BF1-CKD</b>	Optional bowl faucet, 6" spout, kit form
<b>BF2</b>	Optional bowl faucet, 12" spout, pre-built
<b>BF2-CKD</b>	Optional bowl faucet, 12" spout, kit form
<b>BF3</b>	Optional bowl faucet, 16" spout, pre-built
<b>BF3-CKD</b>	Optional bowl faucet, 16" spout, kit form

Minimum operating pressure: 1.5 bar

## Pre-rinse Sprays :: Aquajet Spare Parts Diagram



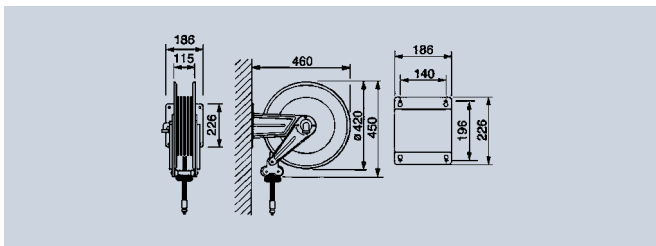
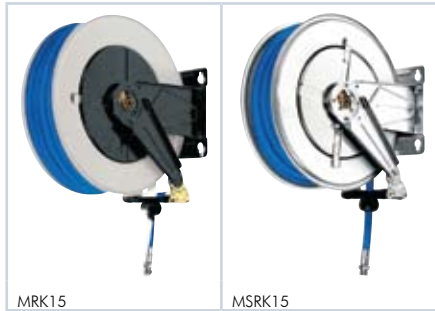
Number	Part Name	Description
01	AJD001	Pre-rinse spray body deck for AJ-PR-10
03	AJD002	Pre-rinse spray body deck for AJ-PR-20
04	AJD003	Pre-rinse spray body deck for AJ-PR-30
05	AJD004	Pre-rinse spray body deck for AJ-PR-40
06	AJRT005	500mm Riser
07	AJRT006	350mm Riser
08	AJRT007	100mm Riser
09	AJSR008	Spring retainer
10	AJOS009	Outer support spring
11	AJHA010*	Complete inner and outer hose assembly 38" c/w end fittings
12	AJWP015	Hose assembly washer pack (3 washers)
13	AJOP016	Spout "O" ring pack (2 x "O" rings)
14	AJWB017	Wall bracket
15	AJRH018	Riser hook for pre-rinse spray head
16	AJSG019*	Complete pre-rinse spray gun assembly rose head
17	AJSG019A	Complete pre-rinse spray gun assembly angled rose head
18	AJSG019F	Complete pre-rinse spray gun assembly fan blade head
19	AJFP022L	Water saving face plate
20	AJGH020*	Spray gun handle and washer
21	AJRR021	Rubber ring
22	AJFP022	Faceplate and screw

23	AJGT023	Trigger
24	AJCHC025	Cross head tap: chrome
25	AJTD027	2 Red, 2 blue inserts and 2 screws
26	AJVC029	1 valve body (fits cold ONLY) for lever head body
27	AJVC029	1 valve body (fits hot on lever head body or hot and cold on cross head body)
28	AJRS031	6-inch
	AJRG032	6-inch Gooseneck
	AJRS035	12-inch
	AJRS037	16-inch
	AJRS038	18-inch double jointed
29	AJBF040	Bowl filler body
30	AJGRK041	Spray gun valve repair kit
31	AJVBF042	1 Valve body (for bowl filler ONLY)
32	AJ20Y043	AJ-PR-20 Brass yoke and washer
33	AJA044*	Hose adapter
34	AJ30AI045	AJ-PR-30 Adjustable inlet and washer
35	AJ40AI045	AJ-PR-40 Adjustable inlet and washer
36	AJSG046	Spray gun body ONLY
37	AJBC047	Valve bonnet and packing gland
38	AJLT026	Pair (H and C) 63mm chrome lever Note: Replacement cold valve AJVC029 also required
39	AJBF048	Bowl filler body ONLY (no valve assembly)

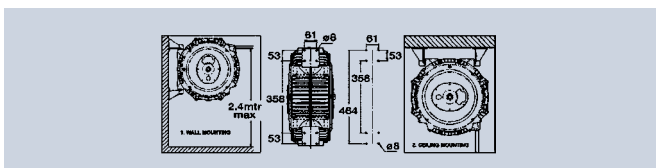
\*Note: 1/2-inch BSP versions available at extra cost. Please add BSP to the model number to indicate your preference

## Aquajet Retractable Wash Down Hoses

- **Hose length:**  
15 metres
- **Hose inside Dia.:**  
12mm
- **Inlet:** 1/2" BSP, female connection
- **Overall Weight:**  
24kg (MRK15)  
23kg (MSRK15)  
13kg (MERK15)



MERK15 HDG



SSG

HDG

FBG

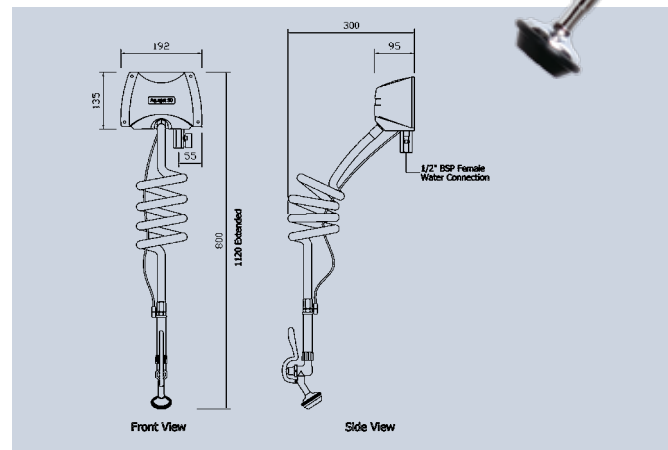
<b>MRK15</b>	Wash down hose, standard casing
<b>MSRK15</b>	Wash down hose, stainless steel casing
<b>MERK15</b>	Wash down hose, stabilised polypropylene casing, enclosed
<b>SSG</b>	Standard, rose head gun
<b>FBG</b>	Fan blade, head gun
<b>HDG</b>	Heavy duty, adjustable head gun

## Pre-rinse Sprays :: Aquajet 50

### Mis-Use resistant Pre-Rinse Spray

For pre-rinsing dishes or for rinsing and washing vegetables and other food (when connected to a potable water supply).

- Can be used as a pre-rinse for dirty dishes or food washing and rinsing applications
- Easy to clean and service
- Integral restraining cable prevents overstretching and spray gun contact with dish water
- Coiled hose absorbs the wear and tear from twisting the gun
- Wall mounting keeps the sink clear
- Big bore delivery hose produces excellent spray pattern
- Save up to 25% in water when fitted with water saving face plate option, at no extra cost
- **Connection size:** 1/2" BSP (female)
- **Max water pressure:** 5 bar (75psi)
- **Min water pressure:** 1.5 bar (22.5psi)
- **Max water temperature:** 55°C (131°F)



Front View

Side View



AJPR50 in the 'stowed' position (water-saving face plate shown)

<b>AJPR-50</b>	Pre-rinse spray, mis-use resistant
<b>AJPR-50W</b>	Pre-rinse spray, mis-use resistant with water saving face plate

## Pre-rinse Sprays :: TopClean



**TopClean represents a highly innovative pre-rinse spray unit incorporating an automatic pull-down function. The water jet is regulated by pulling down the spray gun towards the sink. A gas spring returns the spray gun back to it's original position.**

### Unique

- Easy-to-use, pull-down function automatically turns on water when needed
- Gas strut returns the spray back to it's original position and turns off water
- Very safe to use, as the gas retaining spring absorbs even a fast release of the spray gun

### Water Saving

- Automatic shut off significantly improves water savings
- Water only dispenses when pre-rinse is in actual use

### Hygienic

- No triggers or control mechanisms makes the TopClean easy to clean

### Features

- Engineered with the highest quality chrome finish for easy cleaning and durability
- Top quality brass fittings ensure long service
- Complete with non-return valves

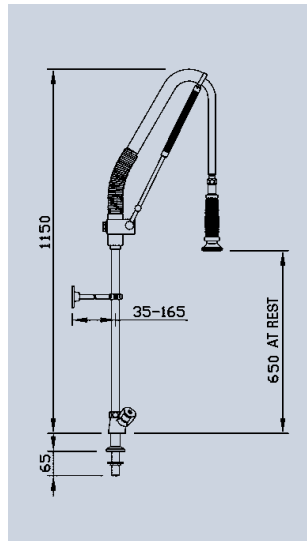
### Application Options

- **Warranty:** 10 year warranty against manufacturing defects
- Available in a variety of tap base configurations to suit most installations
- Option of bowl filler is available on most models



## Pre-rinse Spray Deck Mounted :: Single Water Feed

- **Worktop Hole:** 30mm (1 3/16")
- **Water Connection:** 1 x 1/2"
- **Height:** 1150mm (3' 9 9/32")



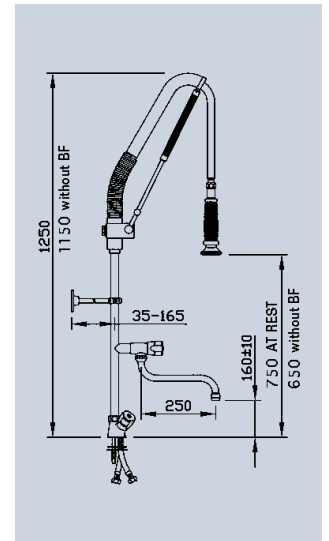
**GXTC10** GastroTechniX Pre-rinse Spray, Deck Mounted, Single Water Feed

## Pre-rinse Spray Deck Mounted :: Twin Water Feed :: Monoblock

- **Worktop Hole:** 30mm (1 3/16")
- **Water Connection:** 2 x 1/2"
- **Height:** 1150mm (3' 9 9/32")
- **Height with Bowl Filler:** 1250mm (4' 1 7/32")



GXTC20BF



**GXTC20** GastroTechniX Pre-rinse Spray, Deck Mounted, Twin Water Feed, Monoblock

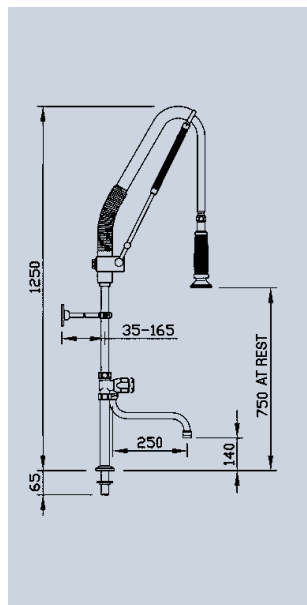
**GXTC20BF** As above, including 250mm (9 27/32") Bowl Filler

## Pre-rinse Spray Deck Mounted :: Twin Pedestal

- 180mm (7 3/32") Centers
- **Worktop holes:** 30mm (1 3/16")
- **Water Connection:** 2 x 1/2"
- **Height:** 1250mm (4' 1 7/32")



GXTC30BF



**GXTC30** GastroTechniX Pre-rinse Spray, Deck Mounted, Twin Pedestal

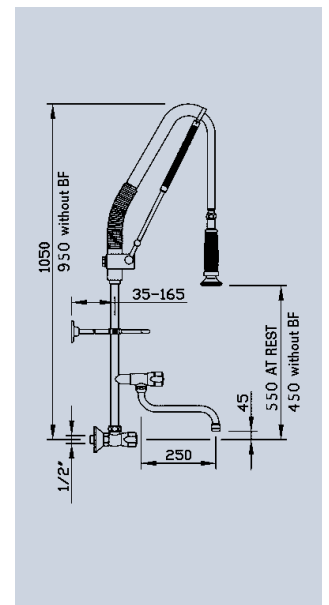
**GXTC30BF** As above, including 250mm (9 27/32") Bowl Filler

## Pre-rinse Spray Panel / Upstand Mounted :: Twin Pedestal

- 150mm (5 29/32") Centers (+/- 25mm (63/64"))
- **Panel holes:** 25mm (63/64")
- **Water Connection:** 2 x 1/2"
- **Height:** 950mm (3' 1 13/32")
- **Height with Bowl Filler:** 1050mm (3' 11/32")



GXTC40BF



**GXTC40** GastroTechniX Pre-rinse Spray, Deck Mounted, Twin Pedestal

**GXTC40BF** As above, including 250mm (9 27/32") Bowl Filler

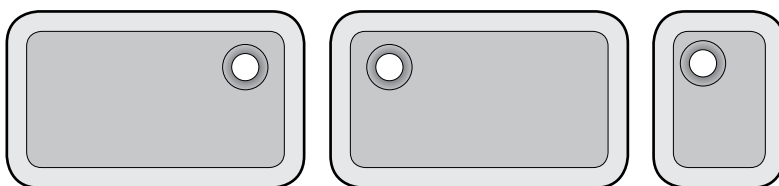
## Sink Bowls :: Waste Kits :: Accessories



- The U.K.'s largest range of sink bowls
- 59 different types and sizes available from stock
- Made in 18/10 304 grade stainless steel
- Finished in aquablast then electropolished (external and internal)
- Strainer wastes with overflow available
- Plastic wastes with and without overflow offered as alternative

Please specify waste position and overflow position when ordering. Left and Right hand waste is determined when the long side is towards you. The waste is then either left back or right back. If you wish to fix the sinks with the short side towards you the handing must be established from the long side.

### LONG SIDE



Right Hand Waste

Left Hand Waste

For this configuration customers will need to order a right hand waste i.e. right hand in relation to the long side.

Please specify long or short side for overflow hole on oblong sinks



Strainer/Waste  
VTE - EURO Series



Strainer/Waste  
VTE series



Stand Pipe/Waste  
VTI series



Waste  
VFSW series

## Sink Bowls

- Specify LH / RH (Imagine longest length from left to right at back)
- If no standpipe used, Oxford Hardware can cut overflow hole (no charge but extra day)
- THE WHOLE RANGE EX-STOCK**

### 5 MOST POPULAR SIZES:

<b>V604530 LH/RH</b>	600x450x300H
<b>V504030 LH/RH</b>	500x400x300H
<b>**V504025 LH/RH</b>	500x400x250H
<b>**V404030</b>	400x400x300H
<b>**V404025</b>	400x400x250H

### THE WHOLE RANGE:

<b>V252516</b>	250x250x160H
<b>V252520</b>	250x250x200H
<b>V293220 CENT</b>	290x320x200H Centre waste
<b>***V293520 LH/RH</b>	290x350x200H
<b>V293522 LH/RH</b>	290x350x220H
<b>V294020 LH/RH</b>	290x400x200H
<b>V332318 WELD LH/RH</b>	335x235x180H
<b>V333320 WELD</b>	330x330x200H
<b>V343020 LH/RH</b>	340x300x200H
<b>***V344020 LH/RH</b>	340x400x200H
<b>***V344025 LH/RH</b>	340x400x250H
<b>V344030 LH/RH</b>	340x400x300H
<b>**V404020</b>	400x400x200H
<b>**V404025 (repeat)</b>	400x400x250H
<b>**V404030 (repeat)</b>	400x400x300H
<b>V404520 LH/RH</b>	400x450x200H
<b>V404525 LH/RH</b>	400x450x250H
<b>V404530 LH/RH</b>	400x450x300H
<b>V454520</b>	450x450x200H
<b>V454525</b>	450x450x250H
<b>V454530</b>	450x450x300H
<b>V503030 (central short side waste)</b>	500x300x300H
<b>**V504020 LH/RH</b>	500x400x200H
<b>VA504020CEN (central back waste 200mm)</b>	500x400x200H
<b>**V504025 LH/RH (repeat)</b>	500x400x250H
<b>V504030 LH/RH (repeat)</b>	500x400x300H
<b>V505025</b>	500x500x250H
<b>V505030</b>	500x500x300H
<b>V505525 LH/RH</b>	500x550x250H
<b>V505530 LH/RH</b>	500x550x300H
<b>V604525 LH/RH</b>	600x450x250H
<b>V604530 LH/RH (repeat)</b>	600x450x300H
<b>V605030 LH/RH</b>	600x500x300H
<b>V605033 LH/RH</b>	600x500x330H

\*\* Central waste available for waste disposal

\*\*\* Corner basket waste available

## Pot Wash Bowls

<b>V765130 DESCALED LH/RH</b>	760x510x300H
<b>V765138 DESCALED LH/RH</b>	760x510x380H

## Wastes for Pot Wash Bowls

- Standpipe, strainer and waste

<b>F2131</b>	250 Deep
<b>F2132</b>	300 Deep
<b>F2133</b>	380 Deep

## Waste Disposal Sink

<b>V13150</b>	325x175x150H
---------------	--------------

## Waste Kits

<b>VTE2518EURO</b>	Combined sink waste standpipe/strainer, S/S & polyamide 250H
<b>VTE3018EURO</b>	Combined sink waste standpipe/strainer, S/S & polyamide 300H
<b>VTE2018</b>	Combined sink waste standpipe/strainer, brass CP 200H
<b>VTE2518</b>	Combined sink waste standpipe/strainer, brass CP 250H
<b>VTE3018</b>	Combined sink waste standpipe/strainer, brass CP 300H
<b>VTI2018</b>	Stand pipe S/S 200H & waste
<b>VTI2518</b>	Stand pipe S/S 250H & waste
<b>VTI3018</b>	Stand pipe S/S 300H & waste
<b>S/PIPE200</b>	S/S Stand pipe 200H
<b>S/PIPE250</b>	S/S Stand pipe 250H
<b>S/PIPE300</b>	S/S Stand pipe 300H
<b>VPIL018</b>	Waste brass CP (European flange 70mm)
<b>VPIL01580</b>	Waste brass CP (U.K. flange 80mm)
<b>VFSW2PC-70</b>	Plastic 1 1/2" waste & overflow, 70mm S/S flange, chain & plastic plug
<b>VBSW10P</b>	Plastic 1 1/2" waste, no overflow, 70mm S/S flange, chain & plastic plug
<b>VBSW9P</b>	Plastic 1 1/4" waste, no overflow, 70mm S/S flange, chain & plastic plug
<b>VFSW1PC-70</b>	Plastic 1 1/4" overflow & waste, 70mm SS flange, chain & plastic plug
<b>VPLUG</b>	Metal plug CP
<b>VCHAIN</b>	Extra chain: high bowls
<b>WASTE HOLE CUT</b>	For basket strainer waste or waste disposal unit enlarges hole to 89mm DIA
<b>VSOUND250</b>	Sound proof pad 200x500
<b>VSOUND250BOX</b>	Sound proof pads 200 x 500 (box of 10) Each pad can cover 2 sinks

## Basket Strainer / Waste

- Needs bigger wastehole cut in sink (89mm)

	Centre Pin
<b>VBWSTSS</b>	1 1/2" x 115 DIA SS
<b>VBWSTOFFS</b>	As above + overflow

## Flange sizes

The waste fitting is seated in a flange in the base of the bowl. UK flanges can be 70 or 80mm diameter. European flanges are 70mm diameter.

All Oxford Hardware bowls (except Pot Wash) have the European flange.

The EURO wastes fit UK and European flanges. VTE/VTI only fit European flanges.

## Waste hole sizes

The standard waste hole is 54mm diameter. Waste disposal units and basket strainer waste holes are 89mm diameter.

Oxford Hardware can cut or enlarge waste holes and cut overflow holes

## Weld In Flat Flange :: Round

- Needs overflow hole
- Straight sided

<b>V2618000 WELD</b>	260 DIA 180H
<b>V3018000 WELD</b>	300 DIA 180H
<b>V3618000 WELD</b>	360 DIA 180H
<b>V4218000 WELD</b>	420 DIA 180H

## Insert Design :: Square / Rectangular

- Needs overflow hole

<b>V332318 INS LH/RH</b>	335x235x180H
<b>V333320 INS</b>	330x330x200H
<b>V401815 INS LH/RH/Centre</b>	400x180x150H

## Insert Design :: Round

- Needs overflow hole
- Straight sided

<b>V2618000 INS</b>	260DIA 180H
<b>V3012000 INS</b>	300DIA 120H
<b>V3018000 INS</b>	300DIA 180H
<b>V3618000 INS</b>	360DIA 180H
<b>V3818000 INS</b>	380DIA 180H
<b>V4218000 INS</b>	420DIA 180H

## Insert Design :: Oval

- With overflow hole
- Mirror finished

<b>V395115.INS</b>	390x510x155H
<b>V455215.INS</b>	454x529x155H Incl. tap hole

## Hemispherical Insert

- Needs overflow hole

<b>V2011HEMI.INS</b>	200x115H
<b>VA2011SS</b>	200x115H
<b>V2613HEMI.INS</b>	260x130H
<b>V3014HEMI.INS</b>	300x140H
<b>V3615HEMI.INS</b>	360x150H
<b>VA3815SS</b>	380x155H
<b>V4216HEMI.INS</b>	420x160H

**NOTE:** All dimensions are internal. Round bowls available with / without overflow. Blank bowls available.

## Wash Hand Basin



- Including apron skirt
- Complete with 32mm waste kit and plug
- **External:** 305 x 270 x 140mm H
- **Internal:** 230 x 120mm H

**VWHB000** Hand wash basin (Model A Type)

## Wash Hand Basin



- Including apron skirt
- Complete with 32mm waste kit, plug and overflow
- **External:** 400 x 350 x 110mm H
- **Internal:** 320 x 110mm H

**VWHB001** Hand wash basin (Model B Type)

## Oval Sink



- Insert Bowl
- Mirror Finish
- With overflow hole
- **Size:** 390 x 510 x 155mm H

**V395115.INS** Oval sink with overflow hole

## Oval Sink :: With Tap Hole



- Insert Bowl
- Mirror Finish
- With overflow and tap holes
- **Size:** 454 x 529 x 155mm H

**V455215.INS** Oval sink with overflow and tap holes

## Hand Basin :: Knee Operated



**VWHBTO91S** Wash hand basin, knee operated

- **Material:** Stainless steel 18/10 Aisi 304
- **Finish:** Scotch-Brite
- Control through up-and-over front panel. When depressed: flow control mixer valve runs for 15 seconds
- **Includes:**
  - Splash back
  - Mixer valve
  - Flexible hose
  - Swivel spout
  - Soap dispenser
  - Hot and cold mixer with check valve
- **Overall Dimensions:** 330 x 330mm, 500 H
- **Sink Bowl Dimensions:** Bowl dia. 265mm, depth 110mm
- Separate splash back - makes assembly and mounting to the wall easier
- No visible screws

## Hand Basin :: With Electronic Tap



**VWHBRELECT91** Wash hand basin with electronic tap

- **Material:** Stainless steel 18/10 Aisi 304
- **Finish:** Scotch-Brite
- On and off control through infrared beam. Half-second delay
- Hygienic
- Very low water consumption
- Battery (2 year life) or mains operated
- **Includes:**
  - Splash back
  - Hot and cold mixer with check valve
  - Flexible hose
  - Fixed tap
  - Soap dispenser
- **Overall dimensions:** 400L x 340W, 550 H
- **Sink Bowl Dimensions:** Bowl dia. 320mm, depth 230mm
- Separate splash back – makes assembly and mounting to the wall easy
- No visible screws

## Portable Handwash Unit



A completely self-contained portable hot-water hand wash system of 23 litres with a smart, smooth design and fully enclosed front and sides. Ideal for the hygiene requirements inside catering establishments when mains hot water is unavailable or at markets, outside-vending and events.

**WPHWU.23LTS.ST**

Portable Hand Wash Unit - Self-contained

## Waste Outlets :: Twist Handle

- Fast drainage
- Positive seal
- Snap-in strainer
- **Outlet Material:** Bright nickel plated cast bronze body, stainless steel face flange, strainer and handle; Neoprene head gasket
- **Overflow Head Material:** Bright nickel plated cast bronze head, stainless steel strainer
- **Overflow Elbow Material:** Bright nickel plated copper alloy tubing
- **Sink Opening:** 89mm (3½")
- **Face Flange Diameter:** 114mm (4½")
- **Handle Length:** 305mm (12")



**0458 005 400** Waste outlet, 2" NPT (no overflow)



**0458 006 400** Waste outlet, 2" NPT, with overflow (requires head and elbow)

**0458 007 010** Overflow head

**0458 007 020** Overflow elbow (356mm x 457mm) (14"x18")



Also available in component parts  
See page 118

**BMD** Bain Marie Drain, lever ball valve, 8" swivel spout

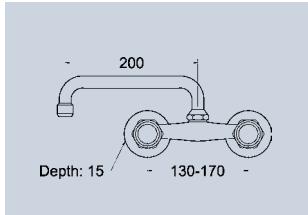
## Grohe Taps and Accessories

Full catalogue available  
Please enquire



PLUMBING

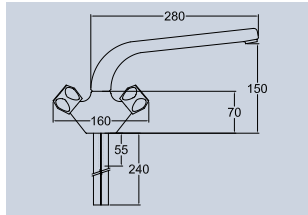
## Wall Mixer :: Twin



### 600 WSMR

1/2" Wall mounted sink mixer, dome head

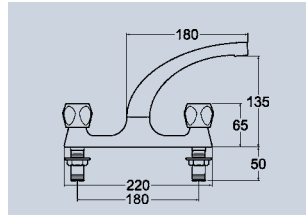
## Deck Mixer :: Mono



### 600 MSMR

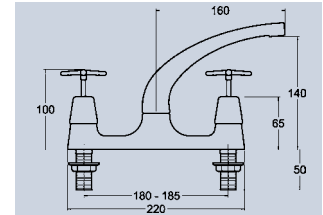
1/2" Mono sink mixer - dome head (one hole)

## Deck Mixers :: Two Hole



### 600 DSMR

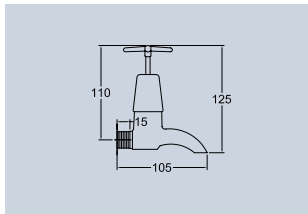
1/2" Deck sink mixer - dome head (two hole)



### 500 MX

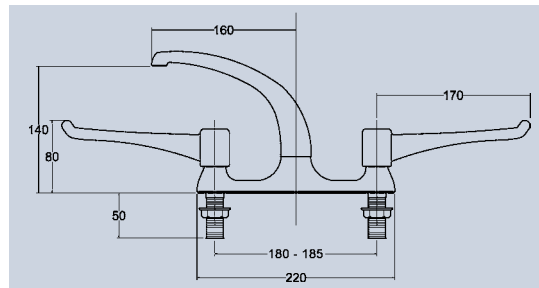
1/2" Deck mixer - cross head

## Bib Taps



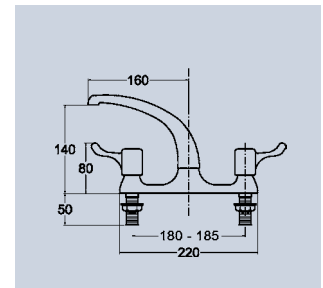
### 500 WX

1/2" Bib taps - cross head, wall mount (pair)



### 500 ML6

1/2" Deck mixer - 6" lever



### 500 ML3

1/2" Deck mixer - 3" lever

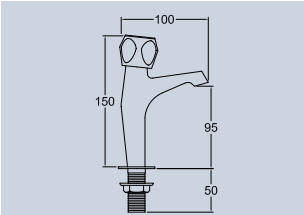
## Bib Taps :: Accessories

- 35359** 1" Extension for bib tap
- 35360** 1 1/2" Extension for bib tap
- 35889** Elbow wall plate 15mm x 1 1/2"

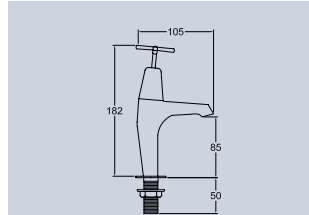
PLUMBING

A comprehensive range of taps manufactured to British Standards and fully WRAS listed. The lever operated taps are fitted with quarter-turn ceramic disc valves for easy operation

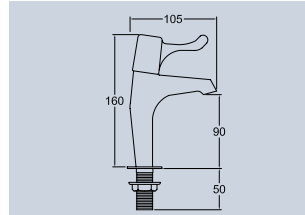
## Sink Taps



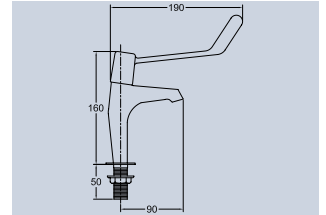
**600 SR**  
 1/2" High neck pillar sink taps - **dome head** (pair)



**500 SX**  
 1/2" High neck pillar sink taps - **cross head** (pair)

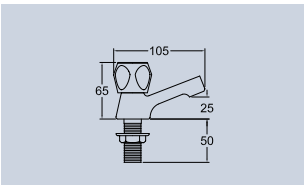


**500 SL3**  
 1/2" High neck pillar sink taps - **3" lever** (pair)

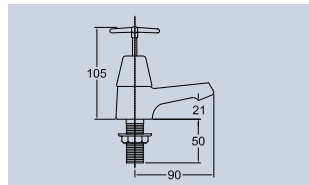


**500 SL6**  
 1/2" Sink taps - **6" lever** (pair)

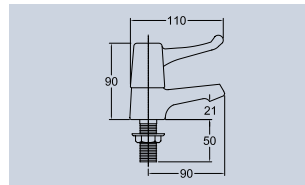
## Basin Taps



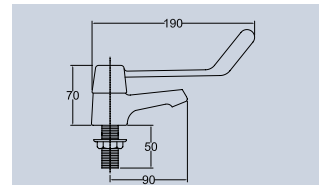
**600 BR**  
 1/2" Basin taps - **dome head** (pair)



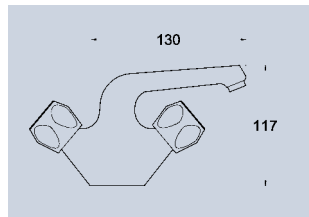
**500 BX**  
 1/2" Basin taps - **cross-head** (pair)



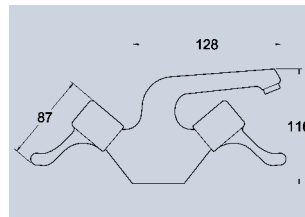
**500 BL3**  
 1/2" Basin taps - **3" lever** (pair)



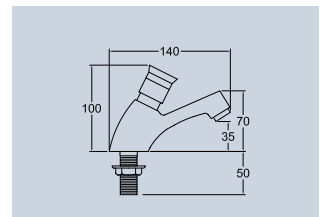
**500 BL6**  
 1/2" Basin taps - **6" lever** (pair)



**700 BMR**  
 1/2" Basin mono mixer, round head



**700 BML**  
 1/2" Basin mono mixer, twin lever



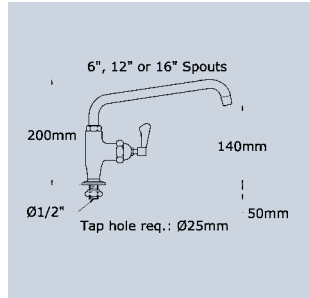
**600 BSCR**  
 1/2" Basin taps - round head, **self-closing** (non-concussive)

PLUMBING

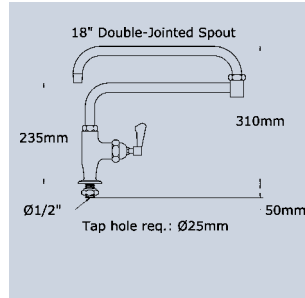
## Aquajet Taps :: Single pedestal, single water feed



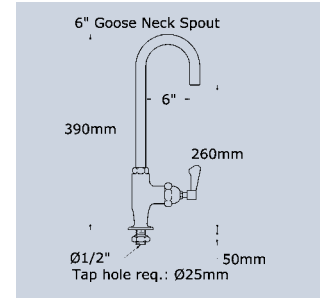
AJ-B-106



AJ-B-106, AJ-B-112, AJ-B-116



AJ-B-1DJ18



AJ-B-1SG6

**AJ-B-106** 6" Spout

**AJ-B-112** 12" Spout

**AJ-B-116** 16" Spout

**AJ-B-1DJ18** 18" spout

**AJ-B-1SG6** 6" Swivel gooseneck spout

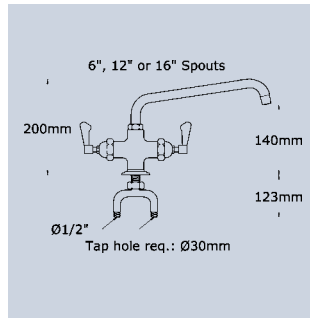


Suffix product code with 'X' for cross heads (£2 extra per pr)  
Suffix product code with 'L' for lever heads

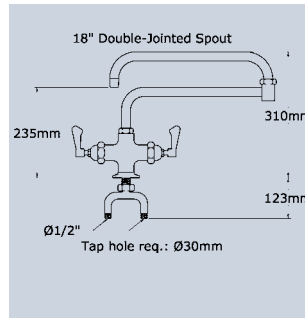
## Aquajet Taps :: Single pedestal, twin water feed



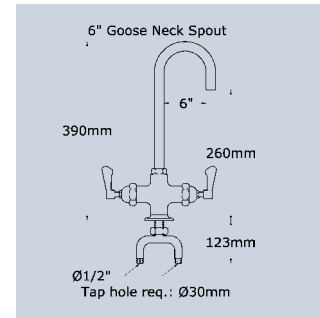
AJ-B-206



AJ-B-206, AJ-B-212, AJ-B-216



AJ-B-2DJ18



AJ-B-2SG6

**AJ-B-206** 6" Spout

**AJ-B-212** 12" Spout

**AJ-B-216** 16" Spout

**AJ-B-2DJ18** 18" Double jointed spout

**AJ-B-2SG6** 6" Swivel gooseneck spout

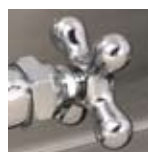


Suffix product code with 'X' for cross heads (£2 extra per pr)  
Suffix product code with 'L' for lever heads

## Aquajet Taps :: Tap options



- For lever head taps suffix product code with 'L' when ordering



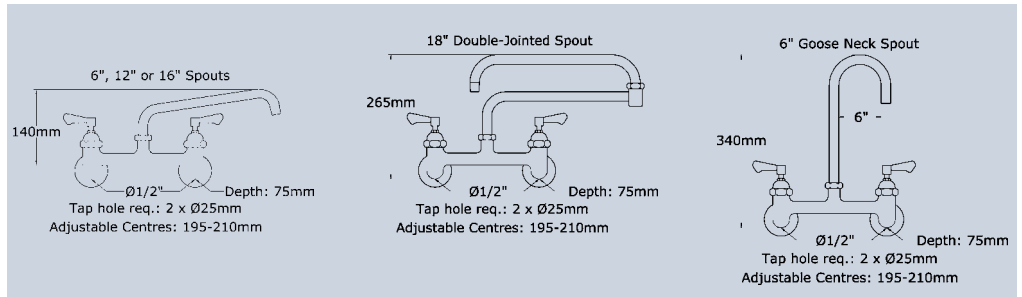
- For cross head taps suffix product code with 'X' when ordering (£2 extra per pr)

A comprehensive range of taps manufactured to meet the rigours of commercial catering environments.  
Available as cross heads or levers and in a variety of models to meet every application.

## Aquajet Taps :: Twin pedestal, wall mounted, twin water feed



AJ-W-406



AJ-W-406, AJ-W-412, AJ-W-416

AJ-W-4DJ18

AJ-W-4SG6

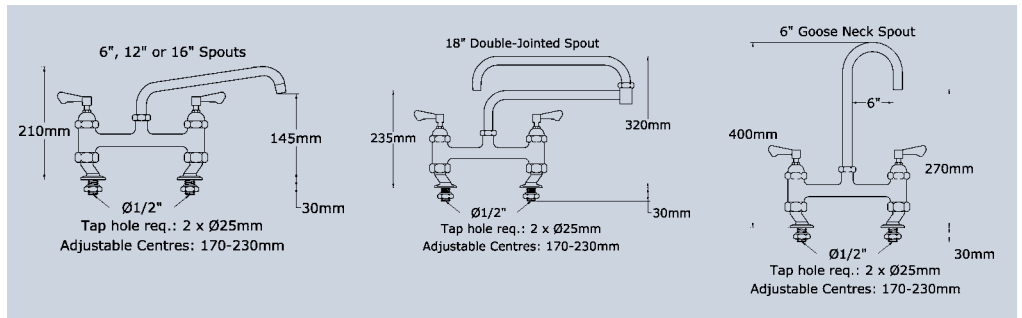
<b>AJ-W-406</b>	6" Spout
<b>AJ-W-412</b>	12" Spout
<b>AJ-W-416</b>	16" Spout

<b>AJ-W-4DJ18</b>	18" Double jointed spout
<b>AJ-W-4SG6</b>	6" Swivel gooseneck spout
	Suffix product code with 'X' for cross heads (£2 extra per pr) Suffix product code with 'L' for lever heads

## Aquajet Taps :: Twin pedestal, twin water feed



AJ-B-312



AJ-B-306, AJ-B-312, AJ-B-316

AJ-B-3DJ18

AJ-B-3SG6

<b>AJ-B-306</b>	6" Spout
<b>AJ-B-312</b>	12" Spout
<b>AJ-B-316</b>	16" Spout

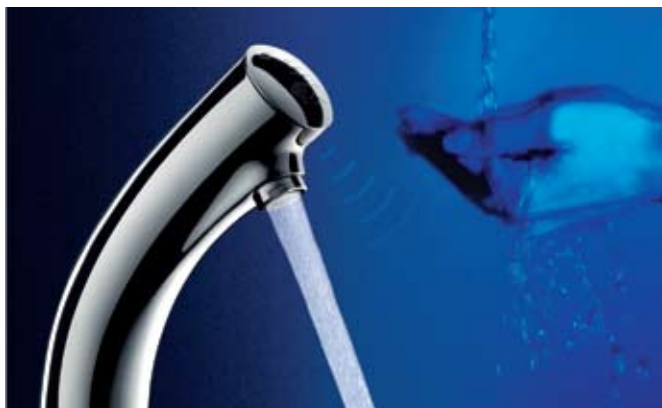
<b>AJ-B-3DJ18</b>	18" Double jointed spout
<b>AJ-B-3SG6</b>	6" Swivel gooseneck spout
	Suffix product code with 'X' for cross heads (£2 extra per pr) Suffix product code with 'L' for lever heads

## Aquajet Taps :: Spout options

- Visual reference for spout types when ordering Aquajet Taps



## Infrared Taps



442006

### Unique Self-Contained Electronic Hands-Free Tap

Long established as a premier manufacturer of food service taps and water control components, DELABIE is at the forefront of providing solutions to catering professionals with advanced, state-of-the-art plumbing components, specifically designed for commercial food service applications.

The latest development in the DELABIE range of 'Intelligent' hands-free basin taps is the Tempomatic 3. It is a revolutionary tap that provides 'hands-free' electronic controls for basins without the complication of wiring, electrical supplies or exposed water / solenoid controls.

The Tempomatic 3 incorporates all the necessary mechanisms and controls within the actual tap body. The components, in self-contained capsules, can be easily reached through an access cap should service be necessary.

All that is required is a water supply, and you then have a self-contained, hands-free basin tap—quick and easy to install.

### How it works

Advanced, lithium-powered battery operation providing approximately 300,000 operations.

Electronic battery controls, sensor and electro-magnetic solenoid, all located within the body of the tap in waterproof capsules.

No external solenoid valves or external electrical control boxes.



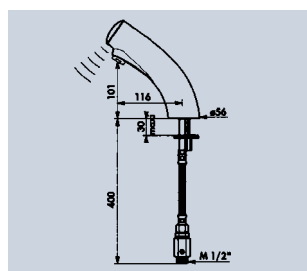
- 1 Electronic detection sensor and control capsule
- 2 2 x 6V Lithium batteries
- 3 Electromagnetic solenoid valve

### What was once a costly problem or a design concern is now overcome!

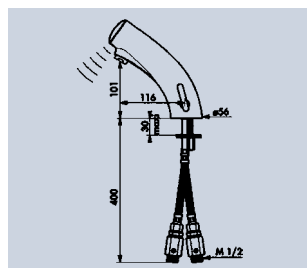
Establishments that have put off re-fitting their catering areas or specifying hands-free electronic controls because they were concerned about bringing in or adapting necessary power supplies can enjoy all the conveniences of electronic hands-free taps immediately without the concern of electrical supplies.

### The benefits are many

- Ease of use – Hand washing without surface or tap contact becomes easy and therefore more likely to be undertaken by catering staff. It thus promotes Good Hygiene practice.
- Hygiene - no hands means no spreading of germs, bacteria and other contaminants.
- Ecology - 80% savings in water and energy with automatic shut-off feature and regulated flow rate.
- Time-savings - convenient, motion-activated sensor.
- Money-savings - fewer calls back to site with a design targeted for intensive use in all commercial, industrial and public applications with shock-proof sensors, scale-proof aerators, anti-blocking safety design and maximum temperature controls.
- Peace of mind - long-lasting components and robust construction backed up by a three-year guarantee.



442006 Electronic basin tap



492006 Electronic basin mixer tap with temperature lever selector

## Thermostatic Mixing Valve



MV75 3/4" Thermostatic mixing valve

## Delabie :: Table Top Sink Fittings



- 10 year warranty
- Attractive, comfortable designs for intensive commercial applications

**669515** 1/2" Single control mixer with spout L 250, H 230

**669615** 1/2" Single control mixer with spout L 350, H 300



**G664415** 1/2" Single hole mixer with spout L 250, H 220



**G6558\*** 1/2" Twin hole mixer with spout L 250 (optional longer spout available)

\* Model G6558 is supplied as a built unit with centres at 180mm. If required, it can be supplied loose, allowing centres to be set between 100-240mm. Please specify when ordering.

## Delabie :: Hygiene Line :: Knee / Foot Operated

- More hands-free ideas from Delabie to create a 'no touch' environment
- Reduces risk of cross-contamination and the spread of germs
- Encourage good hygiene and safe practices



**735400** Tempogenou knee operated valve straight type in line inlet/outlet



**739100** Mixfoot pedal operated mixer floor mounted

**739102** Mixfoot pedal operated mixer wall mounted (height of pedal is adjustable)



**736101** Monofoot pedal operated valve floor mounted

**736102** Monofoot pedal operated valve wall mounted (height of pedal is adjustable)

## Delabie :: Spouts

- A variety of choice to suit every application
- Mix and match to build as per specifications or requirements



**981148** Chrome plated, cast brass fixed spout, vandal proof with theft proof aerator

**981142** Chrome plated, cast brass

**967152** Swan neck swivel spout L 150 H170

**967202** Swan neck swivel spout L 200 H250



**964252** Catering spout fits into mixer outlet dia 20mm F 3/4" L 250 H 230 w/aerator (flow rate 24 l/min under 3 bar)

**846327** Base-union with flange dia 60mm and back nut with screws M 3/4" M 1/2"



**D273015** Tap control for spouts (panel mounting tap)

## Delabie :: Hygiene Line :: Soap Dispensers

- 10 year warranty
- Attractive, comfortable designs for intensive commercial applications



**729012** Soap dispenser with 1ltr bottle elbow spout L 120mm



**729008** Soap dispenser with 1ltr bottle straight spout L 80mm

**729108** Soap dispenser with nylon pipe 1.20m for remote tank straight spout L 80mm



**729150** Soap dispenser wall mounted for walls 150mm thick

## Braided Tap Connector Hose :: Stainless Steel



F04

<b>F01</b>	300mm Hose, 15mm x 1/2"
<b>F02</b>	300mm Hose, 15mm x 1/2", Maxi Bore
<b>F04</b>	300mm Hose, 15mm x 1/2", Isolation Valve
<b>F08</b>	500mm Hose, 15mm x 1/2"

## Blanking Cap for Tap Holes



**47 325** Blanking cap for tap holes, chrome plated

## Pressure Gauge



**PG10** 1/4" Pressure gauge for PRV

## Y Filters



**50Y** 15mm Y Filter

## Pressure Reducing Valves



**PRV50** 1/2" Valve, adjustable 0-8 bar

## Thermostatic Mixing Valves



**MV75** 3/4" Thermostatic mixing valve

## Top Hat Spacer Washers



**TPSW** 1/2" Top hat spacer washers

## Single Check Valve



**SCV01** 15mm Valve, non-return

## Lever Ball Valve

- Red steel handle



CWIV15

<b>CWIV15</b>	15 x 15mm Valve
<b>CWIV22</b>	22 x 22mm Valve
<b>CWIV28</b>	28 x 28mm Valve

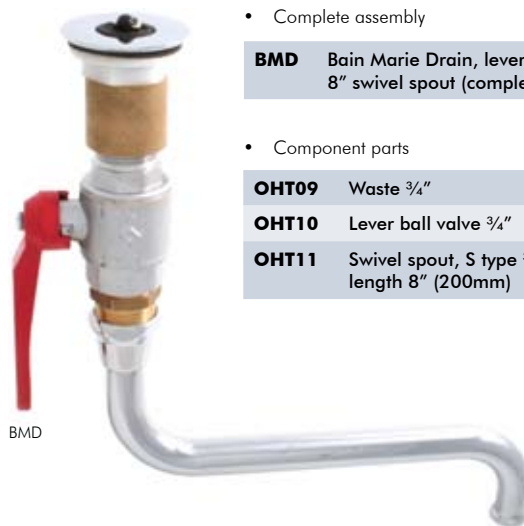
## Bain Marie Drain :: Lever Ball Valve



OHT09

OHT10

OHT11



BMD

- Complete assembly

**BMD** Bain Marie Drain, lever ball valve, 8" swivel spout (complete assembly)

- Component parts

<b>OHT09</b>	Waste 3/4"
<b>OHT10</b>	Lever ball valve 3/4"
<b>OHT11</b>	Swivel spout, S type 3/4", length 8" (200mm)