

# Gaskets & Sweepers

	<b>Gaskets</b>	<b>88-97</b>
	Refrigeration, compression and magnetic	
	<b>Sweepers</b>	<b>98-100</b>
	Brush strip and rubber	

**YOUR GASKET ORDER CAN ONLY BE PROCESSED ON RECEIPT OF THIS ORDER FORM**

**Please photocopy this form or print from our website [www.oxfordhardware.com/gasketorder.pdf](http://www.oxfordhardware.com/gasketorder.pdf)**

Thank you for your interest in our pre-formed gasket. The delivery time is normally 3-4 weeks.

Please complete this form and return it by fax/post/scan & email to Oxford Hardware.

Ordered gaskets are **NON-RETURNABLE** and **NON-REFUNDABLE**

**Pre-Payment is required for non-account holders**

**COMPANY NAME:** .....

**Order No:** .....

Is the gasket 4-sided? .....

OR

Is the gasket 3-sided? ..... If so SEND A SKETCH

**External measurements (ONLY for gaskets fixed by strip, pop-rivet, self-tap, screw)**

**Specify metric measurements (mm):-**

Gasket Code: ..... Gasket Code: ..... Gasket Code: .....

Height: ..... Height: ..... Height: .....

Width: ..... Width: ..... Width: .....

No. of Gaskets: ..... No. of Gaskets: ..... No. of Gaskets: .....

OR

**Measurements from the centreline of the fixing slot/arrow (ONLY for push-in/arrow head gasket)**

**Specify metric measurements (mm):-**

Gasket Code: ..... Gasket Code: ..... Gasket Code: .....

Height: ..... Height: ..... Height: .....

Width: ..... Width: ..... Width: .....

No. of Gaskets: ..... No. of Gaskets: ..... No. of Gaskets: .....

**Signed:** ..... **Name:** ..... **Date:** .....

**YOUR GASKET ORDER CAN ONLY BE PROCESSED ON RECEIPT OF THIS ORDER FORM**

GASKETS & SWEEPERS

## Refrigeration Gaskets :: Compression

Sizes as shown - supplied in 25m lengths      Gaskets can also be made to size      **Material:** Grey PVC. Operating temperature -18°C to +65°C

**PLEASE NOTE** Pre-formed gasket orders will only be accepted with a completed order form (page 88)

<p><b>CG-1</b></p>	<p>Reversible <b>CG-2</b></p>	<p><b>CG-3</b></p>	<p>Not available pre-formed Supplied in 20m lengths <b>CG-4/EO</b></p>
--------------------	-----------------------------------	--------------------	--

<p><b>CG-5</b></p>	<p><b>CG-6</b></p>	<p><b>CG-7</b></p>	<p><b>CG-8</b></p>
--------------------	--------------------	--------------------	--------------------

<p><b>CG-9</b></p>	<p>Not available pre-formed <b>CG-14/EO</b></p>	<p>Not available pre-formed <b>CG-15/EO</b></p>	<p><b>SF0553</b></p>
--------------------	---	---	----------------------

GASKETS & SWEEPERS

## Refrigeration Gaskets :: Magnetic

Sizes as shown - supplied in 3m lengths

Gaskets can also be made to size

Material: Grey PVC. Operating temperature -18°C to +65°C

**PLEASE NOTE** Pre-formed gasket orders will only be accepted with a completed order form (page 88)

Reversible

**MG-1** Magnet: 8 x 3.5mm

**MG-2** Magnet: 8 x 3.5mm

**MG-3** Magnet: 8 x 3.5mm

**MG-4** Magnet: 8 x 3.5mm

**MG-5** Magnet: 8 x 3.5mm

**MG-6** Magnet: 8 x 3.5mm

**MG-7** Magnet: 8 x 3.5mm

MG-7A forms the hinge side of the seal/gasket, where the other three sides use MG-7

**MG-7A**

**MG-8** Magnet: 9.8 x 3.1mm

**MG-9** Magnet: 8 x 3.5mm

**MG-10** Magnet: 9.8 x 3.1mm

**MG-11** Magnet: 8 x 3.5mm

## Refrigeration Gaskets :: Magnetic (continued)

Sizes as shown - supplied in 3m lengths      Gaskets can also be made to size      Material: Grey PVC. Operating temperature -18°C to +65°C

**PLEASE NOTE** Pre-formed gasket orders will only be accepted with a completed order form (page 88)

**MG-12** Magnet: 9.8 x 3.5mm

**MG-12A**  
MG12A forms the hinge side of a seal/gasket, where the other three sides use MG12

**MG-13**  
Incorporates Tri-Pole Magnet

**MG-14** Magnet: 9.8 x 3.1mm

**MG-15** Magnet: 9.8 x 3.1mm

**MG-16** Magnet: 9.8 x 3.1mm

**MG-17** Magnet: 8 x 3.5mm

**MG-18** Magnet: 9.8 x 3.1mm

**MG-19** Magnet: 8 x 3.1mm

**MG-20** Magnet: 8 x 3.5mm

**MG-22** Magnet: 8 x 3.5mm

GASKETS & SWEEPERS

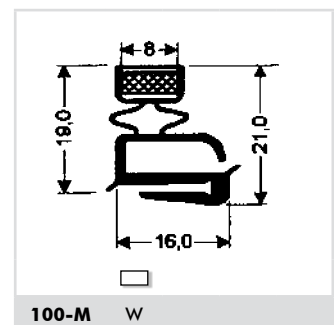
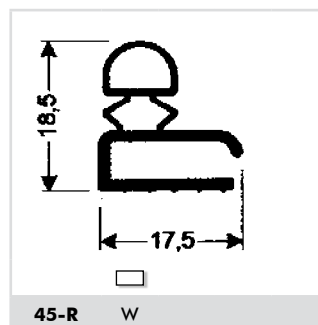
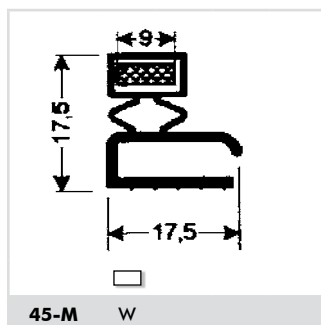
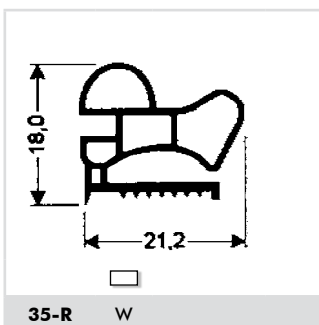
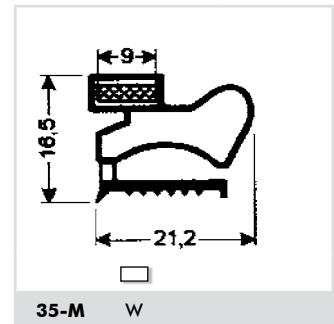
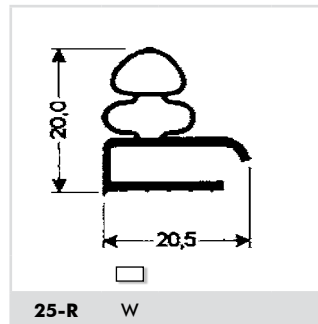
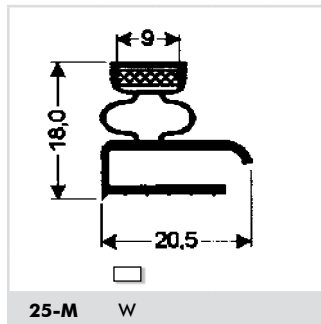
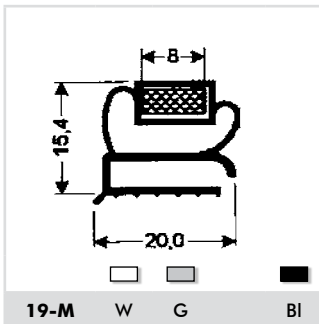
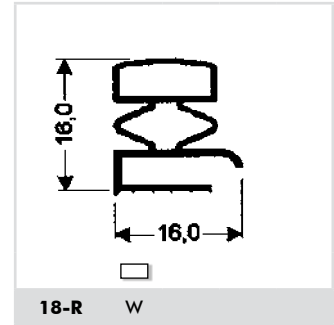
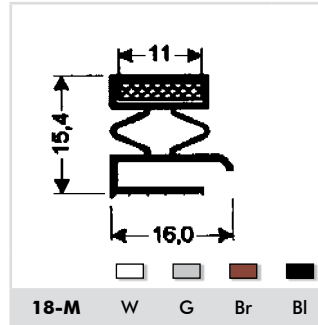
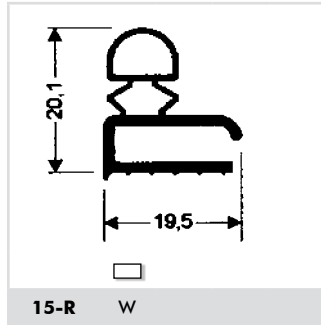
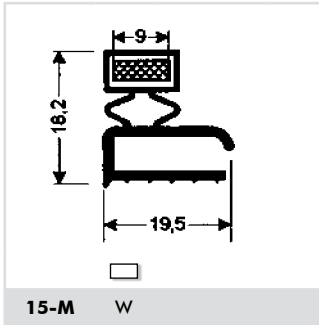
## Refrigeration Gaskets

Sizes as shown - supplied in 2.5m lengths

Gaskets can also be made to size

Material: PVC. Operating temperature -18°C to +65°C

KEY				
	W	G	Br	Bl
	White	Grey	Brown	Black

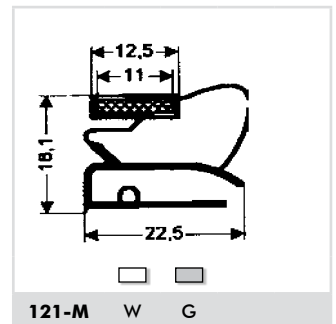
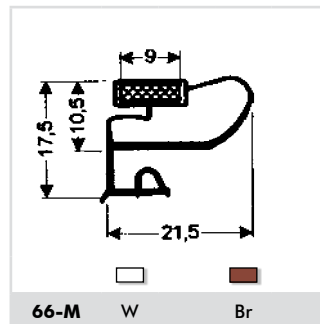
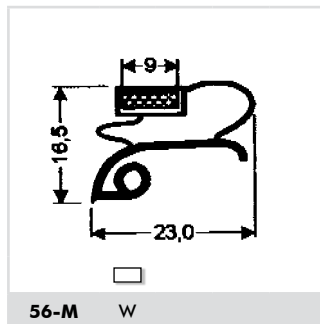
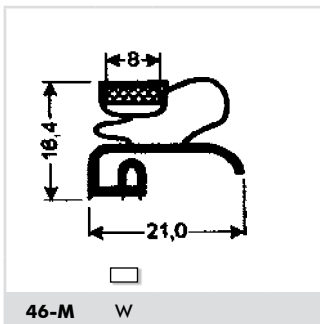
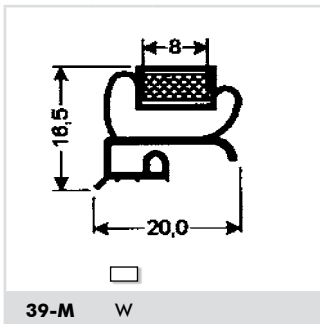
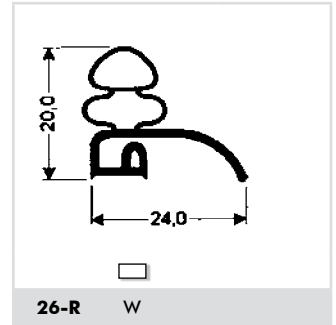
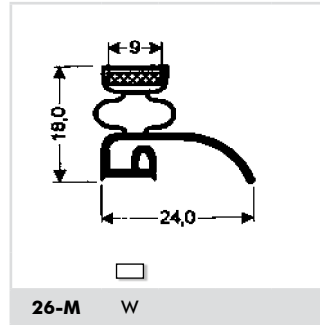
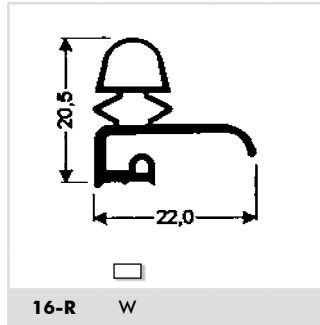
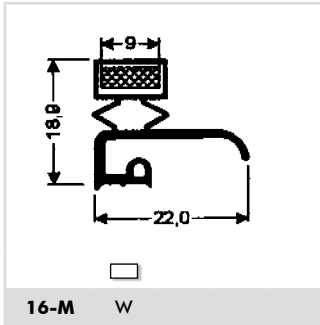


**PLEASE NOTE** Pre-formed gasket orders will only be accepted with a completed order form (page 88)

## Refrigeration Gaskets

Sizes as shown - supplied in 2.5m lengths      Gaskets can also be made to size      **Material:** PVC. Operating temperature -18°C to +65°C

KEY				
	W	G	Br	Bl
	White	Grey	Brown	Black



**PLEASE NOTE** Pre-formed gasket orders will only be accepted with a completed order form (page 88)

GASKETS & SWEEPERS

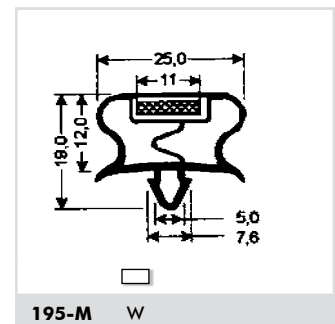
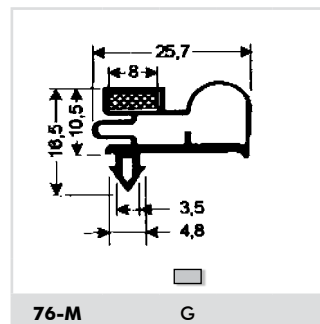
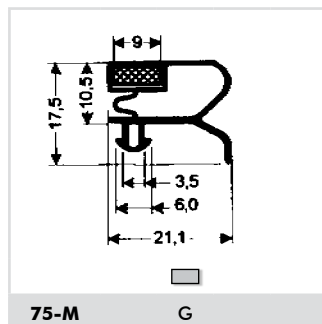
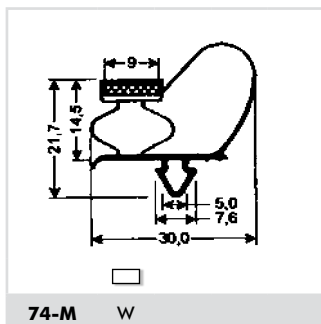
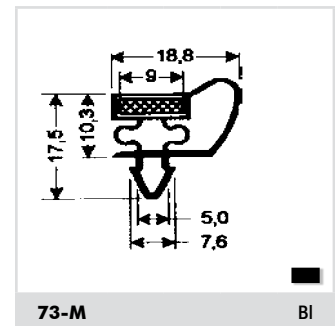
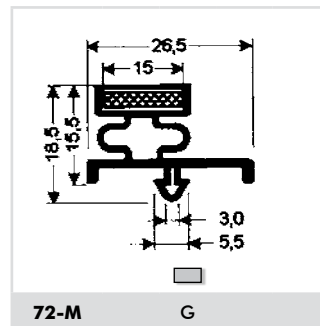
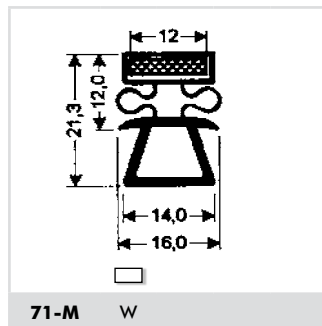
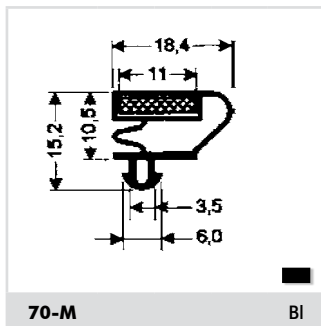
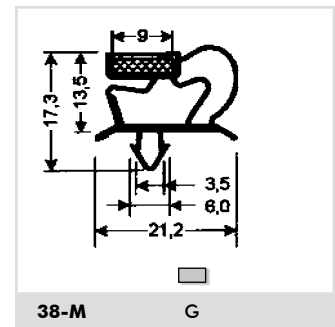
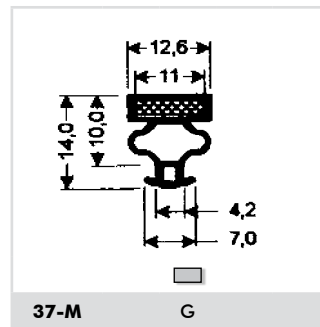
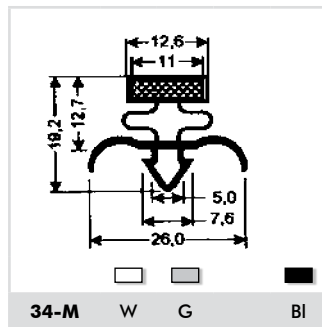
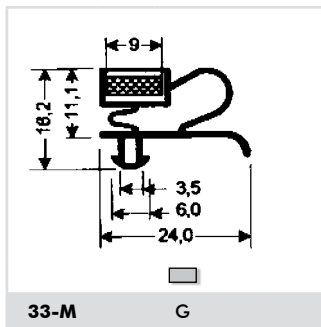
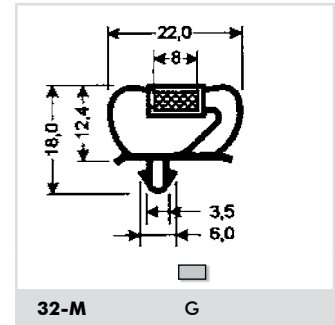
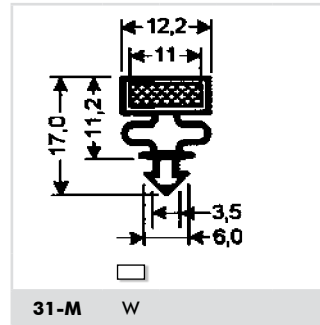
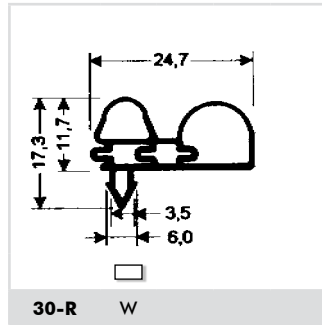
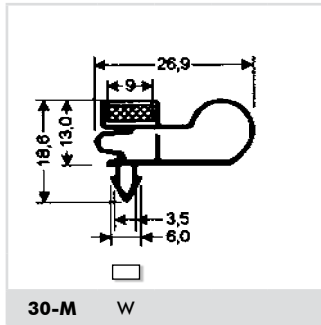
## Refrigeration Gaskets

Sizes as shown - supplied in 2.5m lengths

Gaskets can also be made to size

Material: PVC. Operating temperature -18°C to +65°C

KEY				
	W	G	Br	Bl
	White	Grey	Brown	Black

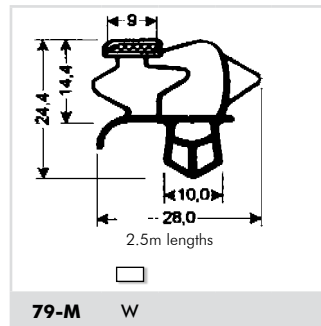
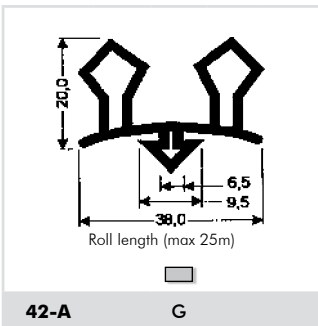
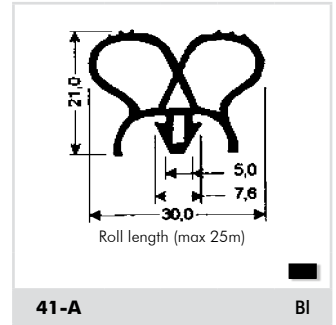
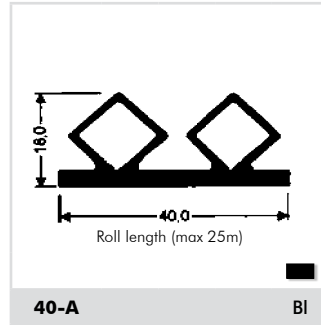
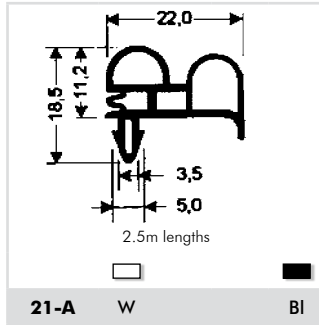
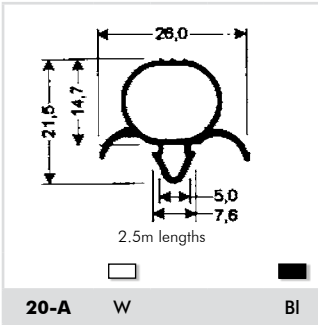


**PLEASE NOTE** Pre-formed gasket orders will only be accepted with a completed order form (page 88)

## Refrigeration Gaskets

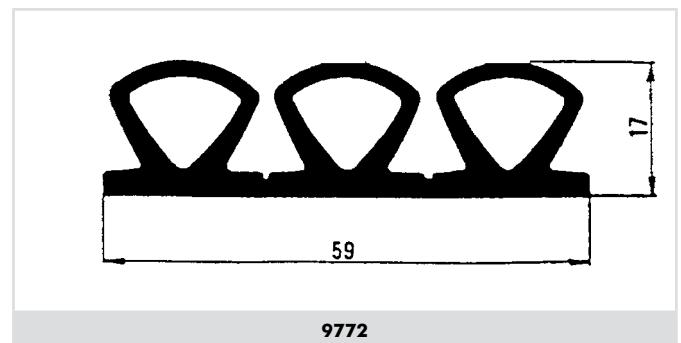
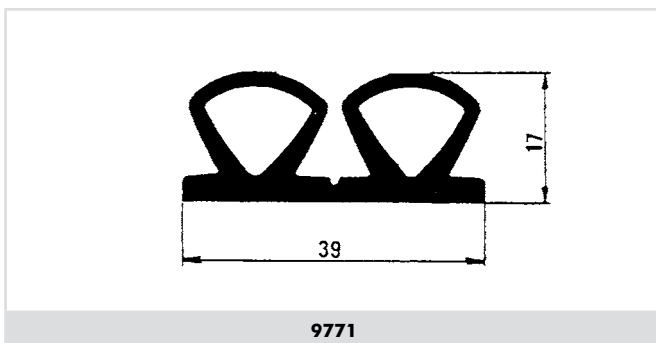
Sizes as shown      Gaskets can also be made to size      **Material:** PVC. Operating temperature -18°C to +65°C

KEY				
	W	G	Br	Bl
	White	Grey	Brown	Black



## Refrigeration Gaskets :: Vinyl latex

Sizes as shown - supplied in 4m lengths      Gaskets can also be made to size      **Material:** Grey Vinyl latex. Operating temperature -40°F to +150°F (-40°C to +65°C)



**PLEASE NOTE** Pre-formed gasket orders will only be accepted with a completed order form (page 88)

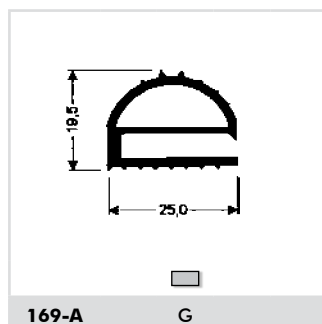
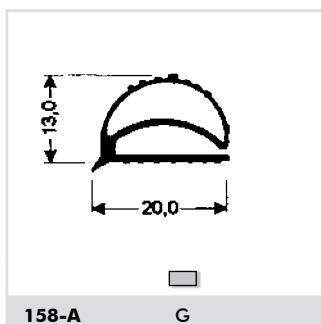
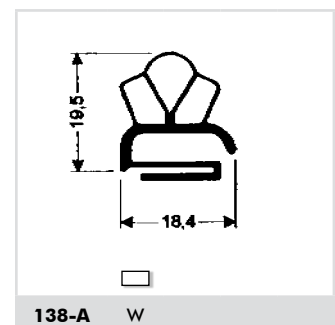
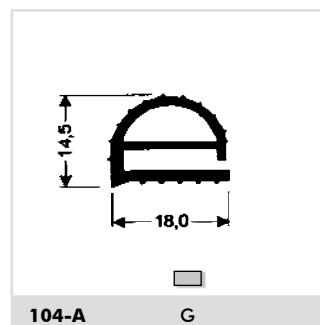
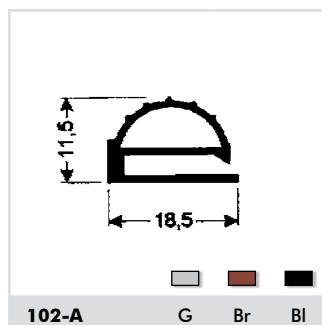
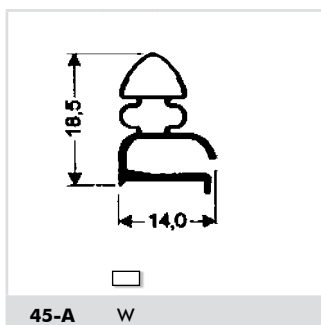
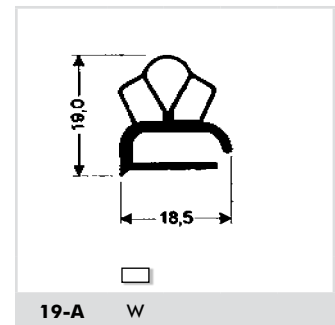
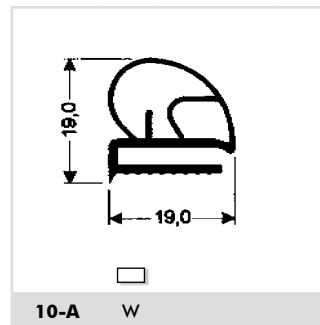
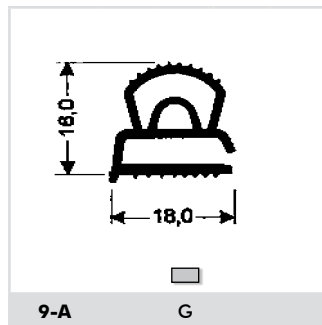
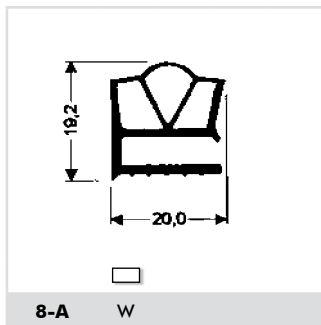
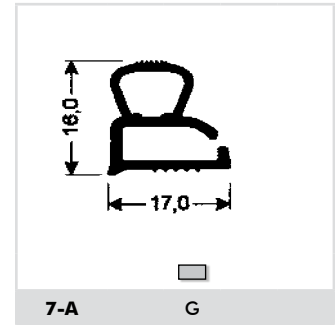
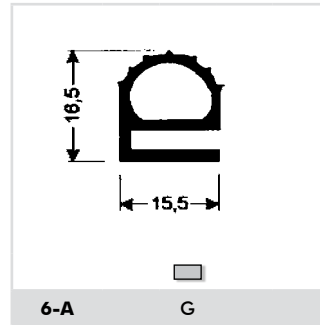
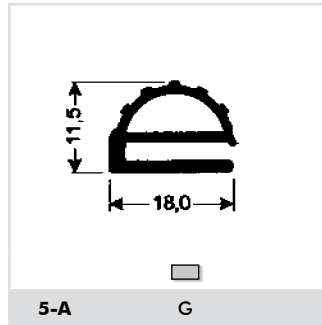
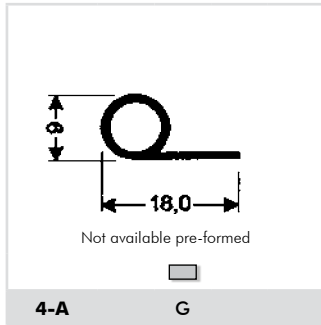
## Refrigeration Gaskets

Sizes as shown - supplied in 2.5m lengths

Gaskets can also be made to size

Material: PVC. Operating temperature -18°C to +65°C

KEY				
	W	G	Br	Bl
	White	Grey	Brown	Black



**PLEASE NOTE** Pre-formed gasket orders will only be accepted with a completed order form (page 88)

## Refrigeration Gaskets

Material: PVC. Operating temperature -18°C to +65°C

Colour: Black ■

Supplied in 24m lengths

**923-6-1001**

Supplied in 24m lengths

**923-6-1002**

Supplied in 24m lengths

**923-6-1003**

For use with rubber gaskets  
923-6-1001/1002/1003

**923-6-3005**

2.5m lengths

**923-6-3003**

2.5m lengths

**923-6-3001**

Supplied in 25m lengths

**923-6-2001**

3.4m lengths

**923-6-1005**

Supplied in 25m lengths

**923-6-1004**

2.5m lengths

**923-6-3004**

Supplied in 10m lengths

**923-6-2002**

Supplied in 10m lengths

**923-6-2003**

2.5m lengths

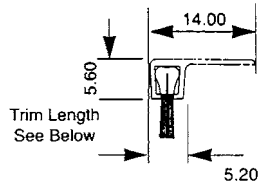
**923-6-3002**

**PLEASE NOTE** Pre-formed gasket orders will only be accepted with a completed order form (page 88)

## Sweepers :: Angled Carrier (90°)

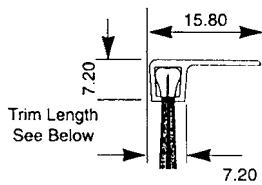
- Supplied in 2.0, 2.5 and 3.0 metre lengths (Other cut lengths available to order)

### No.1 Section



**FS 1/12-90°** Trim: 12mm

### No.2 Section



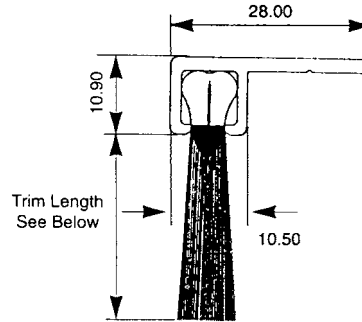
**FS 2/15-90°** Trim: 15mm

**FS 2/20-90°** Trim: 20mm

**FS 2/26-90°** Trim: 26mm

**FS 2/34-90°** Trim: 34mm

### No.4 Section



**FS 4/26-90°** Trim: 26mm

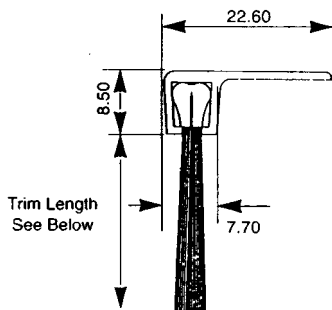
**FS 4/43-90°** Trim: 43mm

**FS 4/50-90°** Trim: 50mm

**FS 4/80-90°** Trim: 80mm

**FS 3/102-90°** Trim: 102mm

### No.3 Section



**FS 3/17-90°** Trim: 17mm

**FS 3/20-90°** Trim: 20mm

**FS 3/26-90°** Trim: 26mm

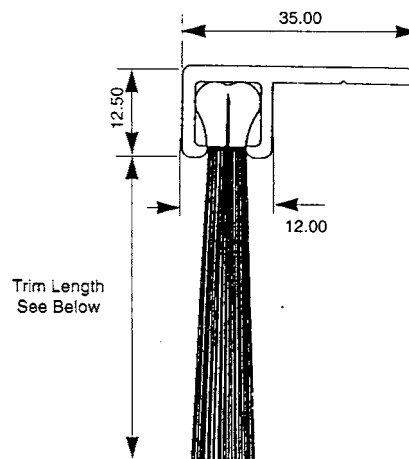
**FS 3/34-90°** Trim: 34mm

**FS 3/40-90°** Trim: 40mm

**FS 3/44-90°** Trim: 44mm

**FS 3/50-90°** Trim: 50mm

### No.5 Section



**FS 5/46-90°** Trim: 46mm

**FS 5/50-90°** Trim: 50mm

**FS 5/66-90°** Trim: 66mm

**FS 5/80-90°** Trim: 80mm

**FS 5/102-90°** Trim: 102mm

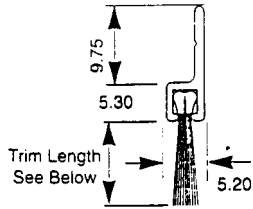
**FS 5/150-90°** Trim: 150mm

**FS 5/180-90°** Trim: 180mm

## Sweepers :: Upright Carrier (180°)

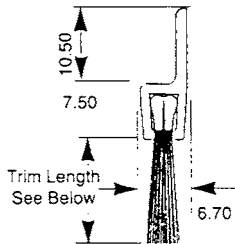
- Supplied in 2.0, 2.5 and 3.0 metre lengths (Other cut lengths available to order)

### No.1 Section



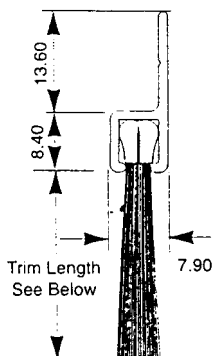
**FS 1/12-180°** Trim: 12mm

### No.2 Section



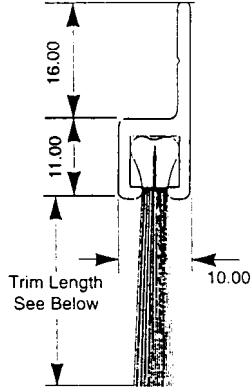
- FS 2/15-180°** Trim: 15mm
- FS 2/20-180°** Trim: 20mm
- FS 2/26-180°** Trim: 26mm
- FS 2/34-180°** Trim: 34mm

### No.3 Section



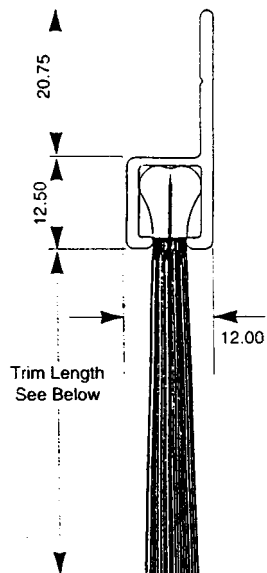
- FS 3/17-180°** Trim: 17mm
- FS 3/20-180°** Trim: 20mm
- FS 3/26-180°** Trim: 26mm
- FS 3/34-180°** Trim: 34mm
- FS 3/40-180°** Trim: 40mm
- FS 3/44-180°** Trim: 44mm
- FS 3/50-180°** Trim: 50mm

### No.4 Section



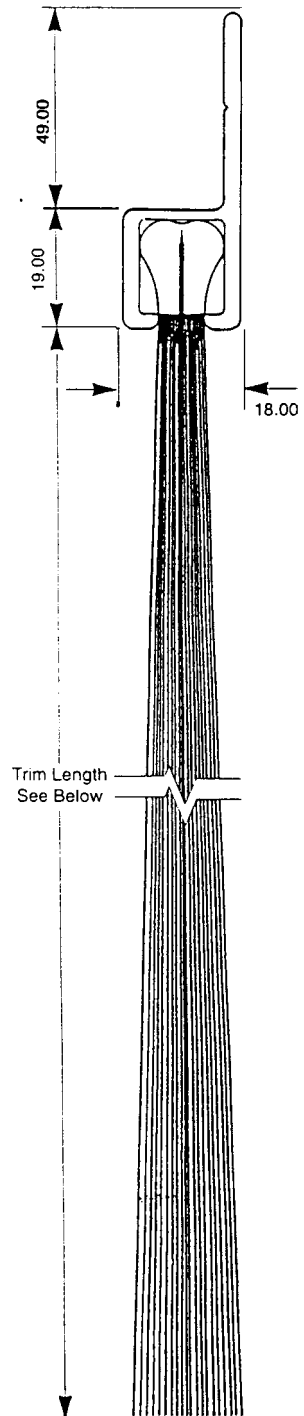
- FS 4/26-180°** Trim: 26mm
- FS 4/43-180°** Trim: 43mm
- FS 4/50-180°** Trim: 50mm
- FS 4/80-180°** Trim: 80mm
- FS 3/102-180°** Trim: 102mm

### No.5 Section



- FS 5/46-180°** Trim: 46mm
- FS 5/50-180°** Trim: 50mm
- FS 5/66-180°** Trim: 66mm
- FS 5/80-180°** Trim: 80mm
- FS 5/102-180°** Trim: 102mm
- FS 5/150-180°** Trim: 150mm
- FS 5/180-180°** Trim: 180mm

### No.6 Section



**FS 6/210-180°** Trim: 210mm

GASKETS & SWEEPERS

## Rubber Sweepers

- Supplied in 2.0, 2.5 and 3.0 metre lengths
- Other lengths can be cut to order
- Rubber: EPDM



### 90° Carrier Angle

<b>RS3/30-90</b>	Total Rubber Depth: 30mm
<b>RS3/55-90</b>	Total Rubber Depth: 55mm
<b>RS3/85-90</b>	Total Rubber Depth: 85mm



### 180° Carrier Angle

<b>RS3/30-180</b>	Total Rubber Depth: 30mm
<b>RS3/55-180</b>	Total Rubber Depth: 55mm
<b>RS3/85-180</b>	Total Rubber Depth: 85mm

### Rubber Only

<b>RS3/30R</b>	Total Rubber Depth: 30mm
<b>RS3/55R</b>	Total Rubber Depth: 55mm
<b>RS3/85R</b>	Total Rubber Depth: 85mm

