

Cold Room Hardware



Sliding Door Gear

81-82

Rail, runners, supports, handles, mountings, stop & shoes



Latches & Handles

83-84

Day, night, exit, lever off and Euro 2000



Hinges, Hasp & Staple

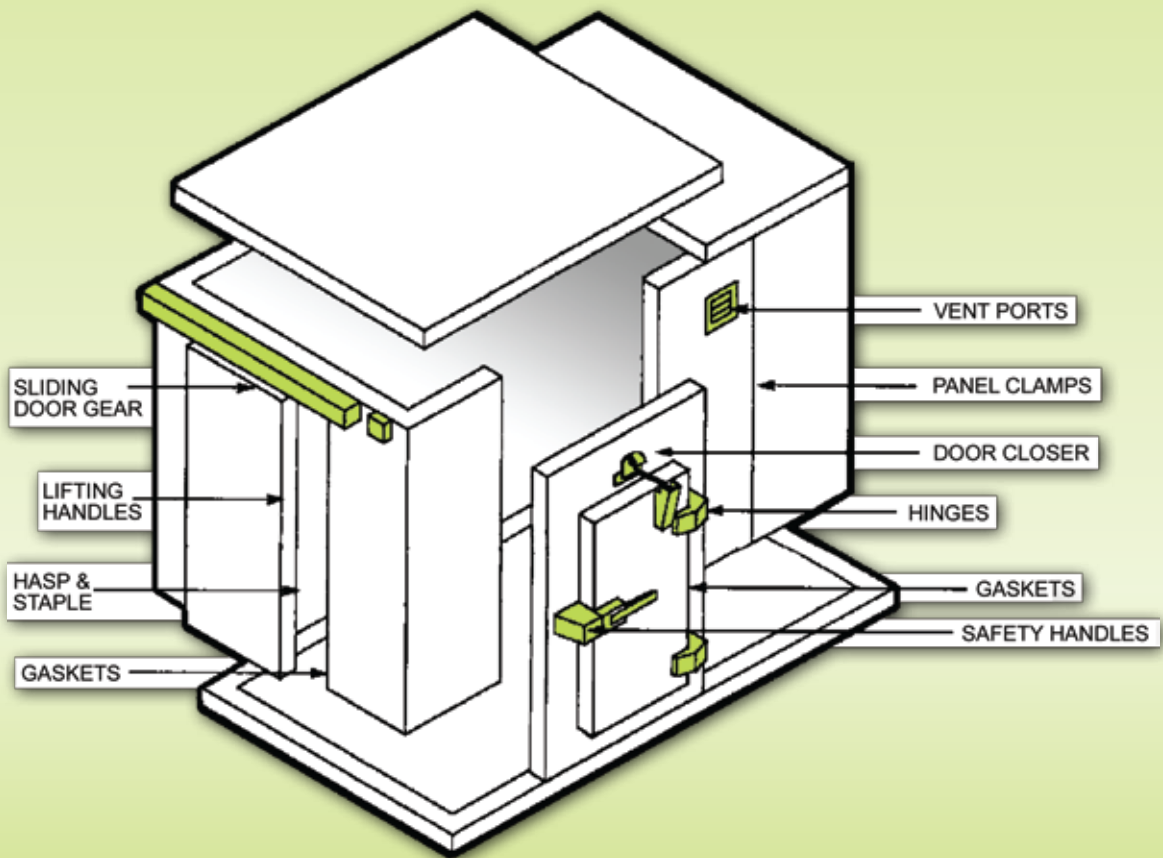
85-86

Rail, runners, supports, handles, mountings, stop & shoes

The Complete COLD ROOM PACKAGE

NEW cold room sliding door track system

- **Reduced cost:** Competitively priced system
- **Reduced Inventory:** One style of track takes up to 160kg door and no lift handle required for door weights up to 120kg
- **Reduced installation time:** Simple assembly can give 50% time saving
- **Reduced spares requirement:** Robust all steel construction minimises breakages
- Comprehensive range of complimentary cold room hardware
- Design service available for special applications

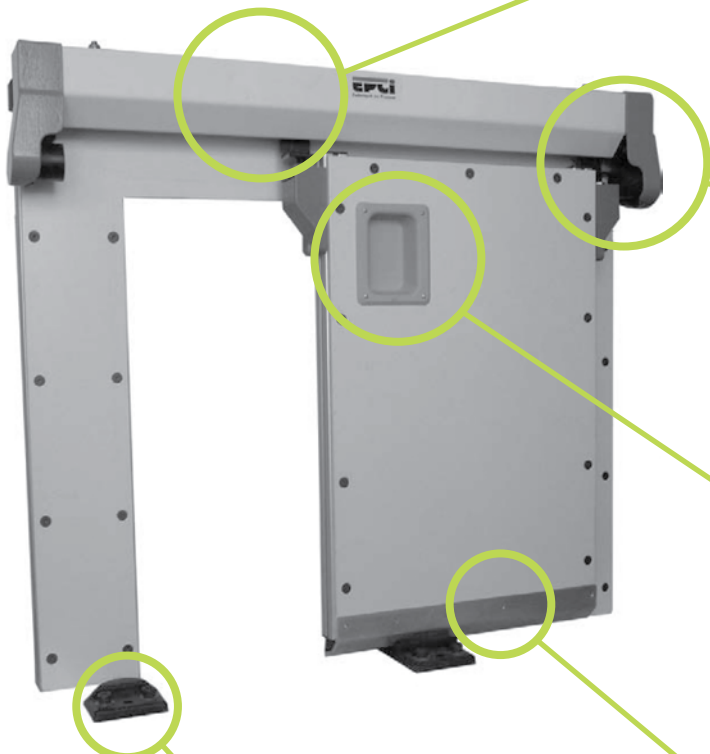


Cold Room Sliding Door Gear

- Strong construction
- Quick and easy installation
- Cut track to length or ask for specific requirements
- Also available in stainless steel
- Fast and easy assembly
- Door width up to 2500mm
- Door thickness from 60mm
- Door weight up to 160kg
- Suits positive or negative coldrooms
- Drop in closing action gives hermetic seal



- 70mm diameter rollers for easy operation
- Stainless steel fasteners
- Optional track and bracket cover plates available



- Easy to install
- Simple adjustment
- One tool adjusts whole system
- Track reversible to suit left or right hand



- Recessed handle can be screwed or glued in place
- Option for stainless steel grip



- Pre-drilled aluminium floor guide rail
- Gasket retainer with clip on cover plate
- No visible fixing screws
- Gasket system can save up to 50mm on door width



- Moulded black composite floor guide
- M12 fixing bolts plus third hole for locking position

Complete Sliding Door Gear :: Painted

923-100-0900-01	Sliding Door Gear: 900mm Max door width
923-100-1050-01	Sliding Door Gear: 1050mm Max door width
923-100-1300-01	Sliding Door Gear: 1300mm Max door width
923-100-1500-01	Sliding Door Gear: 1500mm Max door width
923-100-1700-01	Sliding Door Gear: 1700mm Max door width
923-100-2100-01	Sliding Door Gear: 2100mm Max door width
923-100-2500-01	Sliding Door Gear: 2500mm Max door width

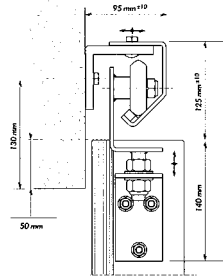
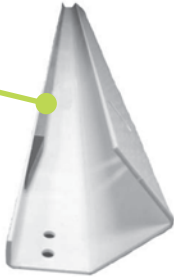
Complete Sliding Door Gear :: Stainless Steel

923-200-0900-01	Sliding Door Gear: 900mm Max door width
923-200-1050-01	Sliding Door Gear: 1050mm Max door width
923-200-1300-01	Sliding Door Gear: 1300mm Max door width
923-200-1500-01	Sliding Door Gear: 1500mm Max door width
923-200-1700-01	Sliding Door Gear: 1700mm Max door width
923-200-2100-01	Sliding Door Gear: 2100mm Max door width
923-200-2500-01	Sliding Door Gear: 2500mm Max door width

Cold Room Sliding Door Gear :: SPARES

Rail (1), Ramp Track (2) & Ramp :: Composite (2)

Image shows Painted Rail with Ramp Track and Composite Ramp attached



Rail :: Painted (1)

923-101-1050-01	Rail: 1050mm Max door width
923-101-1300-01	Rail: 1300mm Max door width
923-101-1500-01	Rail: 1500mm Max door width
923-101-1700-01	Rail: 1700mm Max door width
923-101-2100-01	Rail: 2100mm Max door width

OR

Rail :: Stainless Steel (1)

923-201-1050-01	Rail: 1050mm Max door width
923-201-1300-01	Rail: 1300mm Max door width
923-201-1500-01	Rail: 1500mm Max door width
923-201-1700-01	Rail: 1700mm Max door width
923-201-2100-01	Rail: 2100mm Max door width

Ramp Track :: Aluminium (2)

923-101-1050-02	Ramp Track: 1050mm Max door width
923-101-1300-02	Ramp Track: 1300mm Max door width
923-101-1500-02	Ramp Track: 1500mm Max door width
923-101-1700-02	Ramp Track: 1700mm Max door width
923-101-2100-02	Ramp Track: 2100mm Max door width

Ramp :: Composite (2)

923-101-04	Ramp - composite
-------------------	------------------

Guide Rail (1) :: Anodised Aluminium



923-101-1050-03	Guide Rail: 1050mm Max door width
923-101-1300-03	Guide Rail: 1300mm Max door width
923-101-1500-03	Guide Rail: 1500mm Max door width
923-101-1700-03	Guide Rail: 1700mm Max door width
923-101-2100-03	Guide Rail: 2100mm Max door width

Rail Mounting Brackets (3)



923-101-05	Bracket with M10 stud
-------------------	-----------------------

Door Runners (2)



923-101-06	Body with M16 stud - painted
923-201-06	Body with M16 stud - stainless steel
923-101-07	Wheel

Door Stops (2)



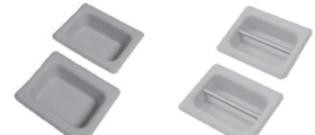
923-101-08	Door Stop - RH - painted
923-101-09	Door Stop - LH - painted
923-201-08	Door Stop - RH - stainless steel
923-201-09	Door Stop - LH - stainless steel

Door Support Arms (2)



923-101-11	Door Support Arm - painted
923-201-11	Door Support Arm - stainless steel

Handles (2)



923-101-12 923-201-13

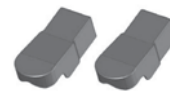
923-101-12	Handle - plastic 150 x 95mm
923-201-13	Handle (Optional) - stainless steel grip pin

Support Arm Covers (2)



923-101-16	Support Arm Cover
-------------------	-------------------

Rail End Covers (2)



923-101-17	Rail End Cover
-------------------	----------------

Composite Shoes (1 of Each)



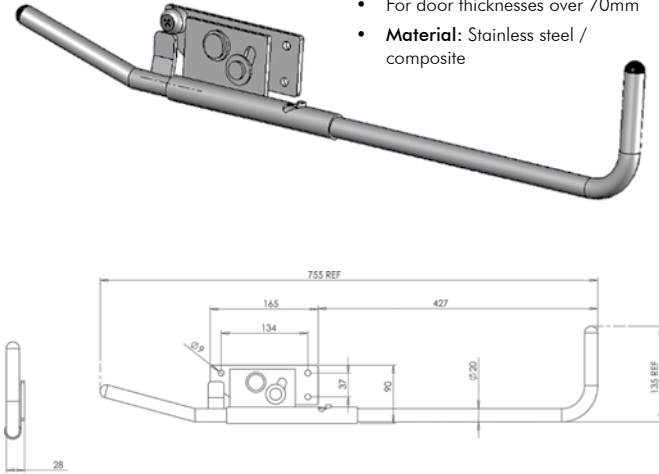
923-101-14	Front Shoe
923-201-15	Rear Shoe

Fastener Kit (1)

923-101-20	4 x M16 Flat Washers	923-101-25	4 x M8 Nuts
923-101-21	4 x M16 Nuts	923-101-26	4 x M8 Flat Washers
923-101-22	2 x Cover Plugs	923-101-27	4 x M8 Bolts
923-101-23	3 x M10 Nyloc Nuts	923-101-28	2 x 5mm Self Tapping
923-101-24	3 x M10 Washers		

Internal Lever Off Handle

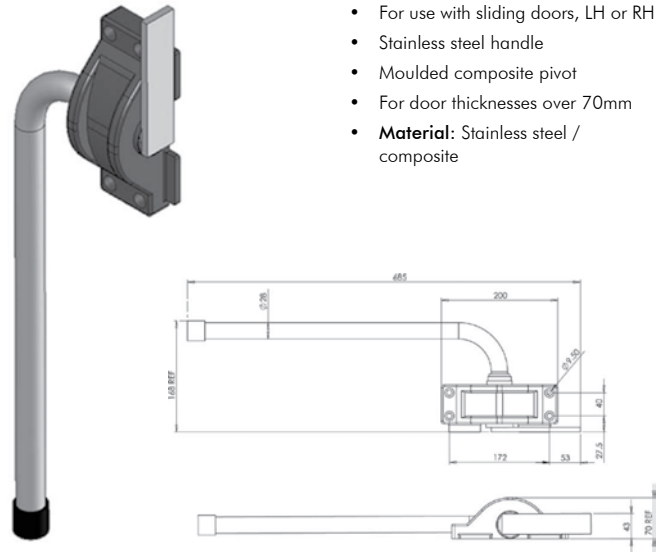
- For use with sliding doors
- Right and left hand option
- Stainless steel handle
- For door thicknesses over 70mm
- **Material:** Stainless steel / composite



- 923-8-1001** RH Internal Handle
- 923-8-1002** LH Internal Handle

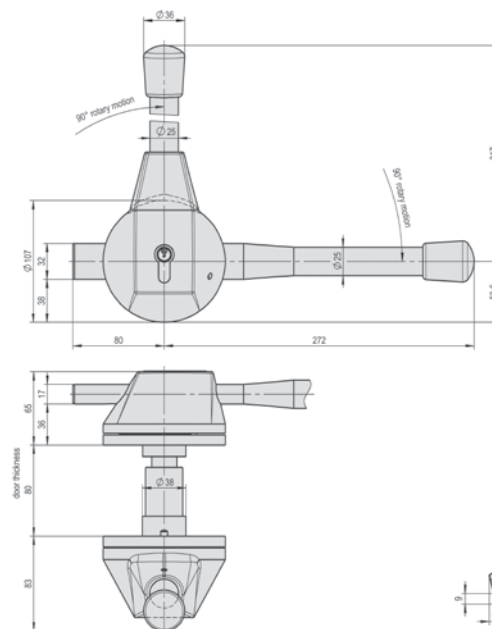
External Lever Off Handle

- For use with sliding doors, LH or RH
- Stainless steel handle
- Moulded composite pivot
- For door thicknesses over 70mm
- **Material:** Stainless steel / composite

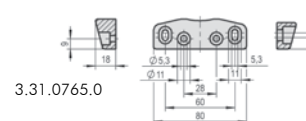
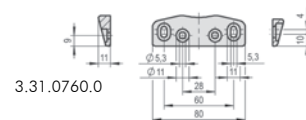


- 923-8-1003** External Handle

Euro 2000 Cold Room Latch



- Modern design
- Inside release handle
- Black outside housing
- Green inside housing
- Any RAL colour on request (for 500+ pieces)
- Outside and inside handle stainless steel
- Profile cylinder lock
- Kaba cylinder optional
- For right and left hand use
- Can accommodate all door thicknesses
- Easy assembly
- Positive closing action

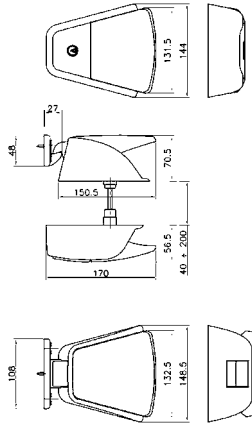


- 3.31.2000.1** Latch, Door Thickness: 80mm
- 3.31.2010.1** Latch, Door Thickness: 100mm
- 3.31.2011.1** Latch, Door Thickness: 120mm
- 3.31.2012.1** Latch, Door Thickness: 140mm

- 3.31.0760.0** Plastic Strike 11mm
- 3.31.0765.0** Plastic Strike 18mm

COLD ROOM HARDWARE

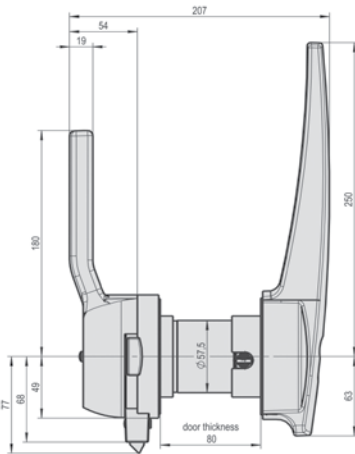
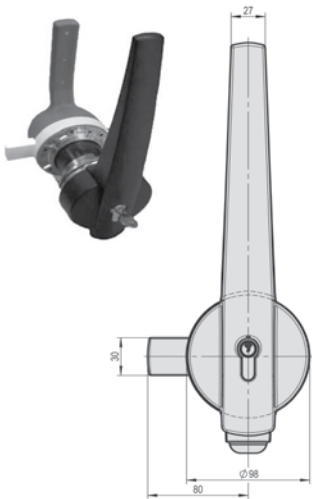
Cold Room Latch



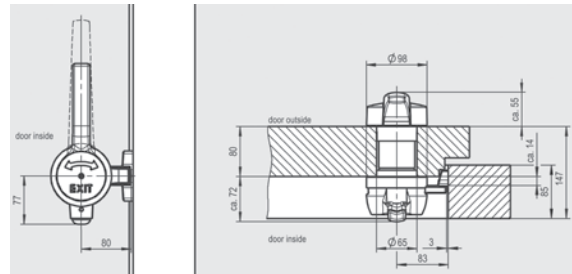
- Latch for cold room doors
- Suitable for door thickness of 40 - 200mm
- Universal handle
- Inside release handle
- Fast and easy assembly
- **Material:** Nylon PA 50% glass filled

923-4-1040	Latch, Door Thickness: 40mm
923-4-1060	Latch, Door Thickness: 60mm
923-4-1080	Latch, Door Thickness: 80mm
923-4-1100	Latch, Door Thickness: 100mm
923-4-1120	Latch, Door Thickness: 120mm

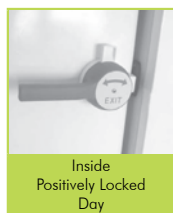
Night & Day Latch



- Slam action latch with positive locking facility
- Door can be opened or closed without turning the handle
- Visual Indication when locked/unlocked
- Can be linked to a multiple locking system
- Robust composite construction
- Black outer handle
- Green inner handle
- Profile cylinder lock



COLD ROOM HARDWARE



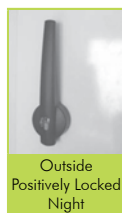
Inside Positively Locked Day



Inside Slam Latch Action Night



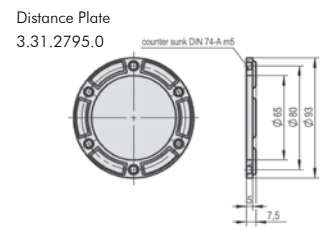
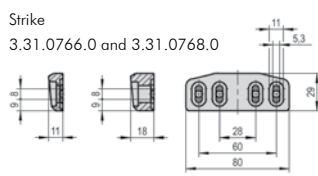
Outside Slam Latch Action Day



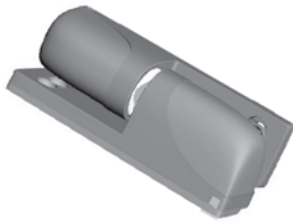
Outside Positively Locked Night

3.31.2700.2	LH Latch, Door Thickness: 80mm	3.31.2700.1	RH Latch, Door Thickness: 80mm
3.31.2702.2	LH Latch, Door Thickness: 90mm	3.31.2702.1	RH Latch, Door Thickness: 90mm
3.31.2704.2	LH Latch, Door Thickness: 100mm	3.31.2704.1	RH Latch, Door Thickness: 100mm
3.31.2706.2	LH Latch, Door Thickness: 120mm	3.31.2706.1	RH Latch, Door Thickness: 120mm
3.31.2707.2	LH Latch, Door Thickness: 125mm	3.31.2707.1	RH Latch, Door Thickness: 125mm
3.31.2708.2	LH Latch, Door Thickness: 140mm	3.31.2708.1	RH Latch, Door Thickness: 140mm

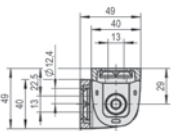
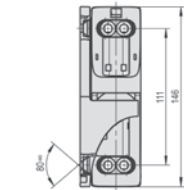
3.31.0766.0	Strike, Material: Black Polyamide, 11mm
3.31.0768.0	Strike, Material: Black Polyamide, 18mm
3.31.2795.0	Distance Plate, Material: Green Plastic, 5mm
3.31.2796.0	Distance Plate, Material: Green Plastic, 10mm
3.31.2797.0	Distance Plate, Material: Green Plastic, 15mm



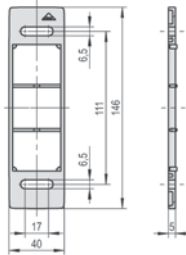
Varioflex Edgemount Hinge



- Hinge for offset and semi-rebated doors
- Holds open at 180°
- Left or right hand fixing
- Lift-off style
- Zinc die cast body
- Up to 80kg door weight
- Up to 2 x 1 m door size
- Up to 8mm height adjustment
- Optional self-closing spring
- Optional 5mm ABS spacer



Hinge



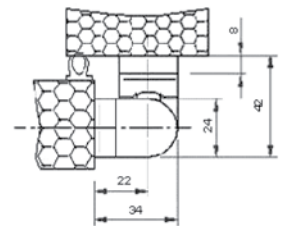
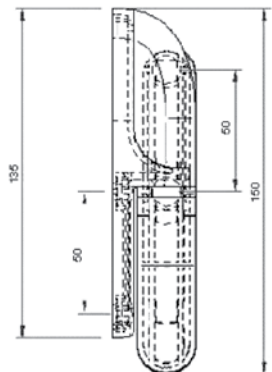
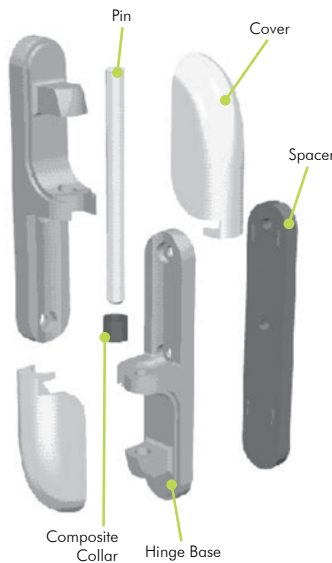
Spacer

3.51.1000.0	Edgemount Hinge, Rising, Finish: EPS Grey Coated
3.51.1010.0	Edgemount Hinge, Non-Rising, Finish: EPS Grey Coated
3.51.1001.0	Edgemount Hinge, Rising, Finish: EPS Black Coated
3.51.1011.0	Edgemount Hinge, Non-Rising, Finish: EPS Black Coated
3.51.1008.0	Edgemount Hinge, Rising, Finish: Matt Chromium Plated
3.51.1018.0	Edgemount Hinge, Non-Rising, Finish: Matt Chromium Plated
3.51.1100.0	Edgemount Hinge, Rising with Spring, Finish: EPS Grey Coated
3.51.1101.0	Edgemount Hinge, Rising with Spring, Finish: EPS Black Coated
3.51.1108.0	Edgemount Hinge, Rising with Spring, Matt Chromium Plated
3.51.1080.0	Spacer, Material: ABS Grey
3.51.1081.0	Spacer, Material: ABS Black

Medium Composite Edemount Hinge



- Composite hinge for overlapping doors
- 180° door opening
- Left or right hand fixing
- Hidden M5 screw fixings for security
- 25kg loading per pair
- Optional 8mm spacer

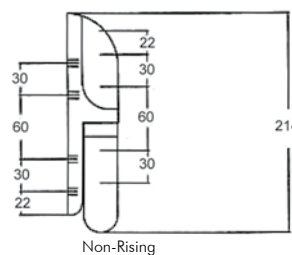


923-1006	Edgemount Hinge, Non-Rising, Steel Zinc Plate Pin
923-1007	Spacer

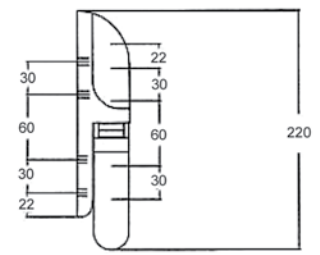
Large Composite Edgemount Hinge



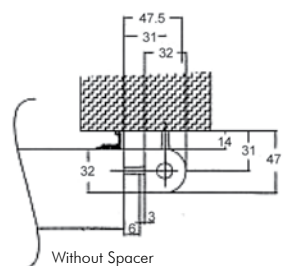
- FEATURES**
- Composite hinge for overlapping doors
 - Rising and Non-Rising options
 - 180° door opening
 - Left or right hand fixing
 - Hidden screw fixings for security
 - 80kg loading per pair
 - Optional 9mm spacer



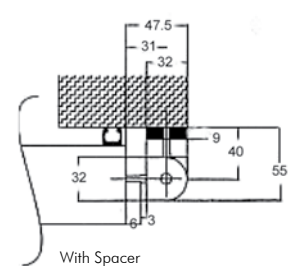
Non-Rising



Rising



Without Spacer



With Spacer

923-1001	Edgemount Hinge, Non-Rising, Steel Zinc Plate Pin
923-1002	Edgemount Hinge, Non-Rising, Stainless Steel Pin
923-1003	Edgemount Hinge, Rising, Steel Zinc Plate Pin
923-1004	Edgemount Hinge, Rising, Stainless Steel Pin
923-1005	Spacer

COLD ROOM HARDWARE

Hasp & Staple :: For Slam & Sliding Doors



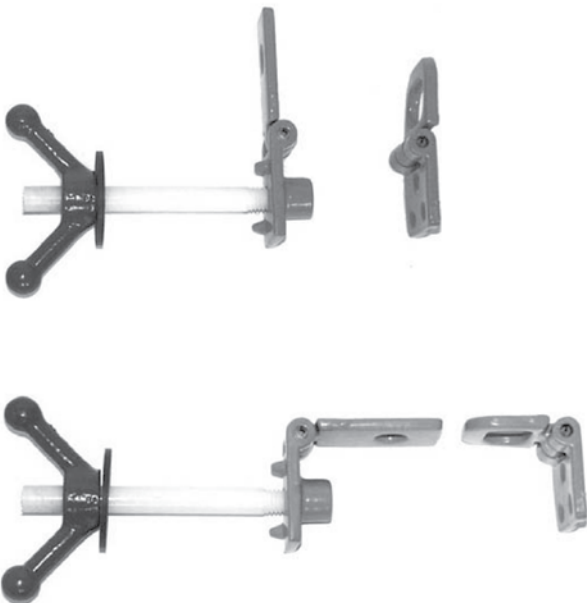
- Safety padlocking device
- With red inside release handle
- Grey nylon finish
- **When ordering:** state left hand or right hand
- Nylon rod supplied in standard 12" length
- Specify if greater length required

60 RH Hasp and Staple Assembly for RH Hinged Doors, c/w Nylon Rod

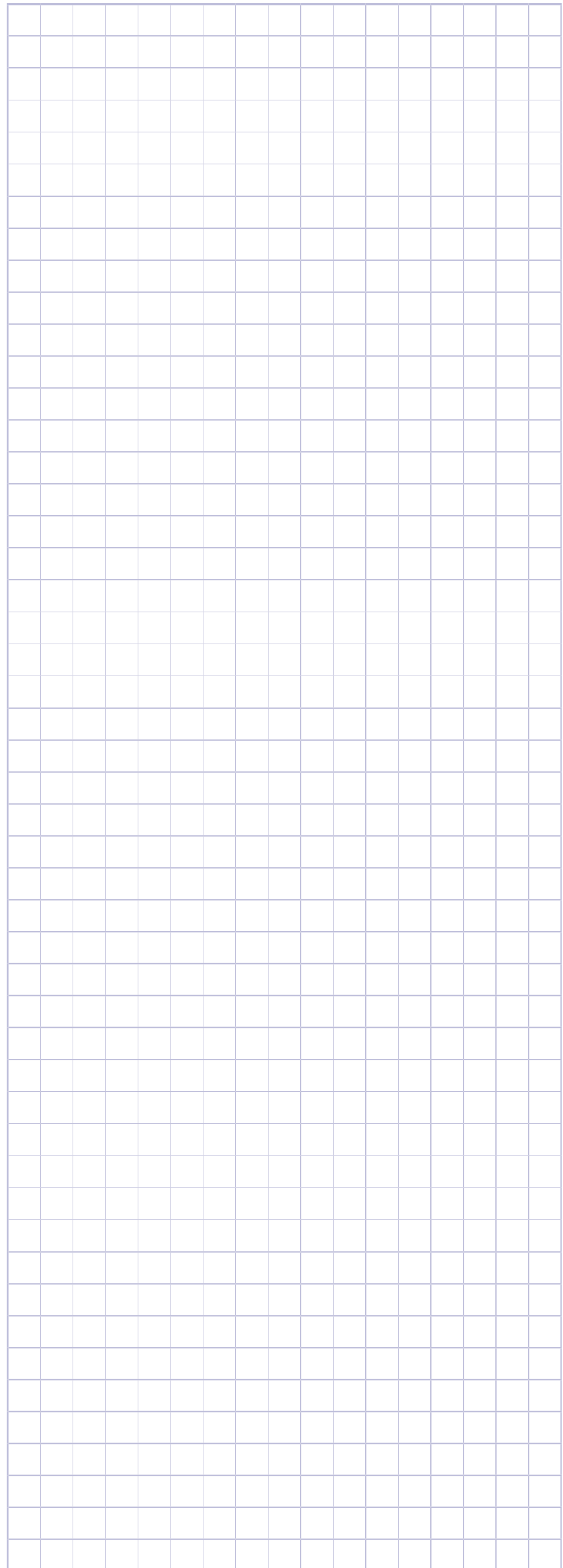
61 LH Hasp and Staple Assembly for LH Hinged Doors, c/w Nylon Rod

Hasp & Staple :: For Sliding Doors

- Safety padlocking device
- When not engaged will drop flat
- With red inside release handle
- Grey nylon finish
- Nylon rod supplied in standard 12" length
- Specify if greater length required



62 Hasp and Staple Assembly, c/w Nylon Rod



COLD ROOM HARDWARE