






KASON Walk-in Hardware

	Hinges	62-67
	Cam-rise, reversible, strap & knuckle	
	Door Closers	67-68
	Hydraulic & spring	
	Latches	69-74
	Magnetic, edgemount, mechanical & trigger action	
	Inside Release Handles	73
	Safety-Glow™, paddle & recessed	
	Trapped Person Alarm	75
	Internal push button, sign, battery & siren	
	Ventilator Ports	76
	Heated, non-heated, vents & cover plates	
	Panel Fasteners	77-78
	Locking points, hooks, strikes & accessories	



New
Stainless Steel Latch & Hinges Page 72

FULL KASON
CATALOGUE
AVAILABLE
ON REQUEST

Kason Hinge Selector

This Hinge Selector is to assist you in choosing the correct Kason hinges for commercial refrigeration, foodservice equipment, transportation, industrial and many other uses.

The Load Chart, below, shows our recommended allowable load per pair of hinges for each hinge group.

The data applies for normal conditions under static loading by door weight only. Other factors, such as positive or negative pressure, very high gasket compression, vibration, corrosive or abrasive atmospheres, or structural movement are not taken into account. It is the final responsibility of the users to determine the suitability and capacity required in their specific applications.

Load Chart

Door Weights																						
kg	lb																					
226.8	500	D	D	E	F	F	F	G	G	G	G	H	H	H	H	H	H					
217.7	480	D	D	E	F	F	F	G	G	G	G	H	H	H	H	H	H					
208.6	460	D	D	E	E	F	F	F	G	G	G	G	H	H	H	H	H	H				
199.5	440	D	D	D	E	F	F	F	G	G	G	G	G	H	H	H	H	H	H			
190.5	420	D	D	D	E	F	F	F	F	G	G	G	G	H	H	H	H	H	H	H		
181.4	400	D	D	D	E	E	F	F	F	G	G	G	G	G	H	H	H	H	H	H	H	
172.4	380	D	D	D	D	E	F	F	F	F	G	G	G	G	G	H	H	H	H	H	H	
163.3	360	D	D	D	D	E	E	F	F	F	G	G	G	G	G	G	H	H	H	H	H	
154.2	340	D	D	D	D	E	E	F	F	F	F	G	G	G	G	G	G	H	H	H	H	
145.2	320	C	D	D	D	D	E	E	F	F	F	F	G	G	G	G	G	G	H	H	H	
136.1	300	C	D	D	D	D	E	E	E	F	F	F	F	G	G	G	G	G	G	H	H	
127.0	280	C	D	D	D	D	D	E	E	F	F	F	F	F	G	G	G	G	G	G	H	
117.9	260	C	C	D	D	D	D	D	E	E	F	F	F	F	F	G	G	G	G	G	G	
108.9	240	C	C	D	D	D	D	D	D	E	E	F	F	F	F	F	F	G	G	G	G	
99.8	220	C	C	C	D	D	D	D	D	D	E	E	E	F	F	F	F	F	F	G	G	
90.7	200	B	C	C	D	D	D	D	D	D	D	E	E	E	F	F	F	F	F	F	G	
81.7	180	B	C	C	D	D	D	D	D	D	D	D	E	E	E	F	F	F	F	F	F	
72.6	160	B	B	C	C	C	D	D	D	D	D	D	D	E	E	E	E	F	F	F	F	
63.5	140	B	B	C	C	C	C	D	D	D	D	D	D	D	D	D	E	E	E	E	F	
54.4	120	B	B	B	C	C	C	C	D	D	D	D	D	D	D	D	D	D	D	E	E	
45.4	100	A	B	B	B	B	C	C	C	C	C	D	D	D	D	D	D	D	D	D	D	
36.3	80	A	A	B	B	B	B	B	C	C	C	C	C	C	D	D	D	D	D	D	D	
27.2	60	A	A	A	A	B	B	B	B	B	B	C	C	C	C	C	C	C	C	C	D	
18.1	40	A	A	A	A	A	A	A	A	B	B	B	B	B	B	B	B	B	C	C	C	
9.0	20	A	A	A	A	A	A	A	A	A	A	A	A	A	A	A	A	A	A	A	B	
Door Width	Inches	12	15	18	21	24	27	30	33	36	39	42	45	48	51	54	57	60	63	66	69	72
	cm	30.5	38.1	45.7	53.3	61.0	68.6	76.2	83.8	91.4	99.1	106.7	114.3	121.9	129.5	137.2	144.8	152.4	160.0	167.6	175.3	182.9

How to Use This Chart

1. Locate the weight of your door in the far left column, headed Door Weight.
2. Find the width of your door along the bottom of the chart.
3. Where the Weight line and Width column intersect, find the recommended hinge group code (A, B, etc.).
4. Select your hinges from the Kason Hinge Groups, below.

NOTE: If exact dimensions and weight for your door is not shown, use the next higher width and weight.

Hinge Groups A – C shown in Kason Reach-in Hardware

Hinge Groups D – H shown in Kason Walk-in Hardware

KASON WALK-IN HARDWARE

Kason Hinge Groups (Order in Pairs)

Group	Hinge Model Numbers (See Reach-in Section)
A	139, 212, 214, 1070, 1216, 1216-13
B	220, 1070A, 1071, 1220
C	1061, 1071A, 1267

Group	Hinge Model Numbers (See Walk-in Section)
D	1241, 1245, 1246, 1251, 1341
E	1074
F	1214, 1409
G	1277, 1277L, 1277S, 1277T, 1377S
H	1075, 1076, 1275, 1276

Reversible Cam-Rise Hinges

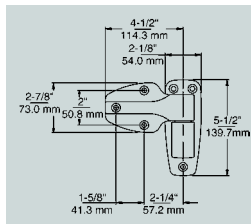
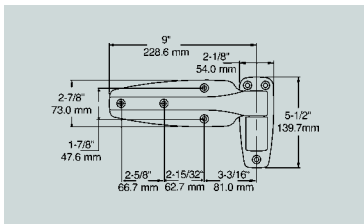


1245



1246

- Industry standard self-closing cam-rise hinges
- Door opens with minimum effort. Strong self-lubricating nylon cam delivers smooth, trouble-free door operation
- Cam-rise action reduces gasket wear, even with irregular floors
- Built-in dwell holds door open beyond 90°
- Doors lift off without disassembly or removing hinges
- Simple manual operation reverses hinges for use on right or left opening door



- **Material:** High pressure die-cast zinc with self-lubricating nylon cam
- **Finish:** See ordering information. Powder coated finishes available for severe environmental applications
- **Offsets:** See ordering information
- **Mounting:** Drilled and countersunk for 6.0mm (1/4") flat head screws
- **Load Rating:** See Hinge Selector Chart, Group D



1245000004	Hinge, Offset: 0.0mm (Flush), Finish: Tuffkote
1245000016	Hinge, Offset: 28.6mm (1 1/8"), Finish: Tuffkote
1245000020	Hinge, Offset: 31.8mm (1 1/4"), Finish: Tuffkote
1245000024	Hinge, Offset: 34.9mm (1 3/8"), Finish: Tuffkote
1245000052	Hinge, Offset: 38.1mm (1 1/2"), Finish: Tuffkote
1245000056	Hinge, Offset: 41.3mm (1 5/8"), Finish: Tuffkote
1245000060	Hinge, Offset: 44.5mm (1 3/4"), Finish: Tuffkote
1245000064	Hinge, Offset: 47.6mm (1 7/8"), Finish: Tuffkote
1245000028	Hinge, Offset: 0.0mm (Flush), Finish: Polished Chrome
1245000032	Hinge, Offset: 28.6mm (1 1/8"), Finish: Polished Chrome
1245000044	Hinge, Offset: 31.8mm (1 1/4"), Finish: Polished Chrome
1245000048	Hinge, Offset: 34.9mm (1 3/8"), Finish: Polished Chrome
1245000068	Hinge, Offset: 38.1mm (1 1/2"), Finish: Polished Chrome
1245000072	Hinge, Offset: 41.3mm (1 5/8"), Finish: Polished Chrome
1245000076	Hinge, Offset: 44.5mm (1 3/4"), Finish: Polished Chrome
1245000080	Hinge, Offset: 47.6mm (1 7/8"), Finish: Polished Chrome
1245000082	Hinge, Offset: 50.8mm (2"), Finish: Polished Chrome
1245000088	Hinge, Offset: 0.0mm (Flush), Finish: Brushed Chrome
1245000112	Hinge, Offset: 28.6mm (1 1/8"), Finish: Brushed Chrome
1245000116	Hinge, Offset: 31.8mm (1 1/4"), Finish: Brushed Chrome
1245000120	Hinge, Offset: 34.9mm (1 3/8"), Finish: Brushed Chrome
1245000124	Hinge, Offset: 38.1mm (1 1/2"), Finish: Brushed Chrome
1245000128	Hinge, Offset: 41.3mm (1 5/8"), Finish: Brushed Chrome
1245000132	Hinge, Offset: 44.5mm (1 3/4"), Finish: Brushed Chrome
1245000136	Hinge, Offset: 47.6mm (1 7/8"), Finish: Brushed Chrome
1245000138	Hinge, Offset: 50.8mm (2"), Finish: Brushed Chrome

1246000004	Hinge, Flush, Finish: Tuffkote
1246000028	Hinge, Flush, Finish: Polished Chrome
1246000040	Hinge, Flush, Finish: Brushed Chrome

Reverse hinges in minutes



1. Lift strap from flange and remove pin assembly



2. Pop out cap. Turn strap 180°
Re-insert pin assembly in strap



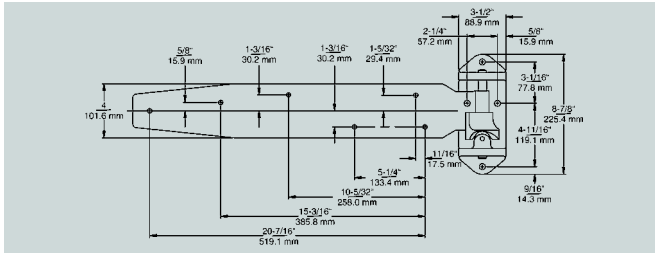
3. Reposition strap into flange and replace cap

Cam-Rise Hinges



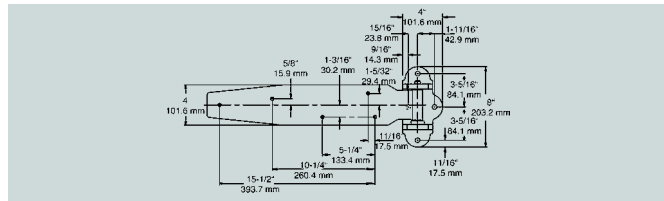
1275

1276 :: Enlarged Heavy Duty Hinge



- 1276000020** Hinge - Left Hand, Offset: 28.6mm (1-1/8")
- 1276000024** Hinge - Right Hand, Offset: 28.6mm (1-1/8")
- 1276000028** Hinge - Left Hand, Offset: 31.8mm (1 1/4")
- 1276000032** Hinge - Right Hand, Offset: 31.8mm (1-1/4")

1275 :: Heavy Duty Hinge



- 1275000020** Hinge - Left Hand, Offset: 28.6mm (1-1/8")
- 1275000024** Hinge - Right Hand, Offset: 28.6mm (1-1/8")
- 1275000028** Hinge - Left Hand, Offset: 31.8mm (1 1/4")
- 1275000032** Hinge - Right Hand, Offset: 31.8mm (1-1/4")

1277 Series :: Heavy Duty Hinges

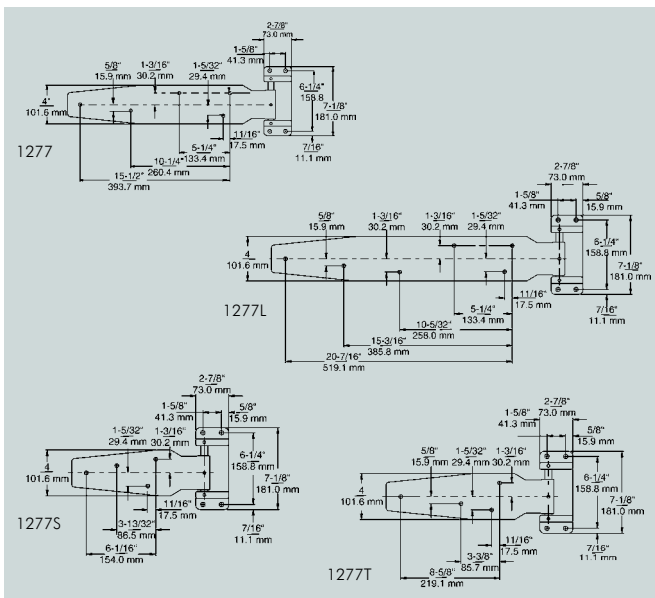


1277

- Tough, economical self-closing hinges
- Sizes to fit all supermarket, cold storage and other heavy duty walk-in requirements
- Precision machined steel cams gently raise and lower door for easier opening and less gasket wear
- Extra wide strap and reinforcing ribs on underside of flange provide greater strength and durability
- Stress tested through thousands of slam cycles
- Reversible, without disassembly, for right or left opening door

- **Material:** High pressure die-cast zinc flange, 4.8mm (3/16") thick steel strap, 15.9mm (5/8") diameter steel cam pin
- **Finish:** Kasonized. Powder coated finishes available for severe environmental applications
- **Mounting:** Drilled for 9.5mm (3/8") screws
- **Load Rating:** See Hinge Selector Chart, Group G

- 1277000004** Hinge, Strap: 533.4mm (21"), Offset: 0.0mm (Flush)
- 1277000008** Hinge, Strap: 533.4mm (21"), Offset: 28.6mm (1 1/8")
- 1277000010** Hinge, Strap: 533.4mm (21"), Offset: 31.8mm (1 1/4")
- 1277000012** Hinge, Strap: 533.4mm (21"), Offset: 34.9mm (1 3/8")
- 1277000014** Hinge, Strap: 533.4mm (21"), Offset: 38.1mm (1 1/2")
- 1277000016** Hinge, Strap: 533.4mm (21"), Offset: 41.3mm (1 5/8")
- 1277000018** Hinge, Strap: 533.4mm (21"), Offset: 44.5mm (1 3/4")
- 1277000020** Hinge, Strap: 533.4mm (21"), Offset: 47.6mm (1 7/8")
- 1277L00008** Hinge, Strap: 685.8mm (26"), Offset: 28.6mm (1 1/8")
- 1277L00010** Hinge, Strap: 685.8mm (26"), Offset: 31.8mm (1 1/4")
- 1277L00012** Hinge, Strap: 685.8mm (26"), Offset: 34.9mm (1 3/8")
- 1277L00016** Hinge, Strap: 685.8mm (26"), Offset: 41.3mm (1 5/8")
- 1277S00008** Hinge, Strap: 293.7mm (11 5/8"), Offset: 28.6mm (1 1/8")
- 1277S00010** Hinge, Strap: 293.7mm (11 5/8"), Offset: 31.8mm (1 1/4")
- 1277S00012** Hinge, Strap: 293.7mm (11 5/8"), Offset: 34.9mm (1 3/8")
- 1277S00014** Hinge, Strap: 293.7mm (11 5/8"), Offset: 38.1mm (1 1/2")
- 1277S00016** Hinge, Strap: 293.7mm (11 5/8"), Offset: 41.3mm (1 5/8")
- 1277S00018** Hinge, Strap: 293.7mm (11 5/8"), Offset: 44.5mm (1 3/4")
- 1277T00004** Hinge, Strap: 358.2mm (14"), Offset: 0.0mm (Flush)
- 1277T00008** Hinge, Strap: 358.2mm (14"), Offset: 28.6mm (1 1/8")
- 1277T00010** Hinge, Strap: 358.2mm (14"), Offset: 31.8mm (1 1/4")
- 1277T00012** Hinge, Strap: 358.2mm (14"), Offset: 34.9mm (1 3/8")
- 1277T00014** Hinge, Strap: 358.2mm (14"), Offset: 38.1mm (1 1/2")
- 1277T00016** Hinge, Strap: 358.2mm (14"), Offset: 41.3mm (1 5/8")
- 1277T00018** Hinge, Strap: 358.2mm (14"), Offset: 44.5mm (1 3/4")
- 1277T00020** Hinge, Strap: 358.2mm (14"), Offset: 47.6mm (1 7/8")



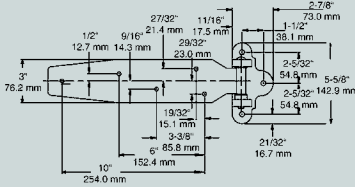
Steel Strap Hinges



1075

1074 :: Strap Hinge

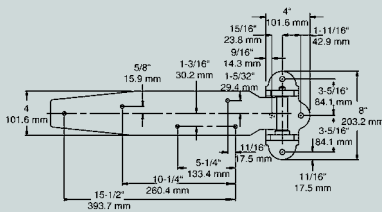
- **Strap Length:** 346.1mm (13 5/8")
- **Mounting:** Strap drilled for 6.0mm (1/4") screws; flange drilled for 8.0mm (5/16") lag screws
- **Load Rating:** See Hinge Selector Chart, Group E



- 1074000008** Hinge, Offset: 0.0mm (Flush)
- 1074000020** Hinge, Offset: 28.6mm (1 1/8")

1075 :: Heavy Duty Strap Hinge

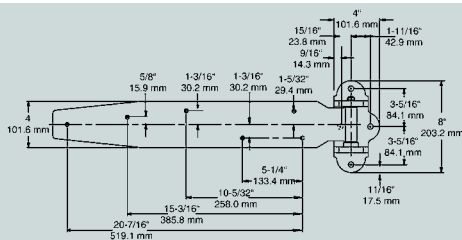
- **Strap Length:** 533.4mm (21")
- **Mounting:** Strap and flange drilled for 9.5mm (3/8") lag screws
- **Load Rating:** See Hinge Selector Chart, Group H



- 1075000004** Hinge, Offset: 0.0mm (Flush)
- 1075000016** Hinge, Offset: 28.6mm (1 1/8")
- 1075000020** Hinge, Offset: 31.8mm (1 1/4")
- 1075000024** Hinge, Offset: 34.9mm (1 3/8")

1076 :: Extra Heavy Duty Strap Hinge

- **Strap Length:** 660.4mm (26")
- **Mounting:** Strap and flange drilled for 9.5mm (3/8") lag screws
- **Load Rating:** See Hinge Selector Chart, Group H



- 1076000016** Hinge, Offset: 28.6mm (1 1/8")
- 1076000020** Hinge, Offset: 31.8mm (1 1/4")
- 1076000024** Hinge, Offset: 34.9mm (1 3/8")

- Smooth and durable
- Smooth action for coolers, freezers and cold storage door
- **Material:** Cast iron flange, steel strap, nylon bearing, steel pin
- **Finish:** Kasonized
- **Offsets:** See order information, below

Iron Strap Hinges

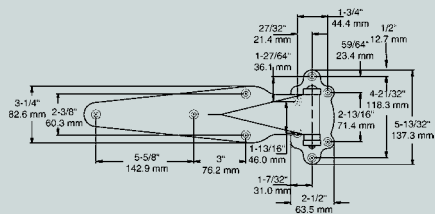


1214

- Tough iron hinges feature a steel flange for extra strength
- **Material:** Malleable iron strap, steel flange
- **Finish:** Kasonized
- **Offsets:** See order information, below
- **Mounting:** Holes drilled and countersunk for 6.0mm (1/4") screws
- **Load Rating:** See Hinge Selector Chart, Group F

1214 :: Heavy Duty Strap Hinge

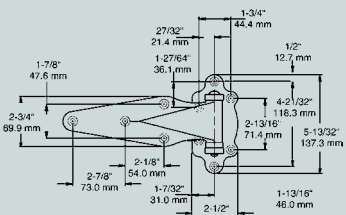
- **Strap Length:** 330.2mm (13")



- 1214000012** Heavy Duty Iron Strap Hinge, Offset: 28.6mm (1 1/8")
- 1214000016** Heavy Duty Iron Strap Hinge, Offset: 31.8mm (1 1/4")
- 1214000020** Heavy Duty Iron Strap Hinge, Offset: 34.9mm (1 3/8")
- 1214000024** Heavy Duty Iron Strap Hinge, Offset: 38.1mm (1 1/2")

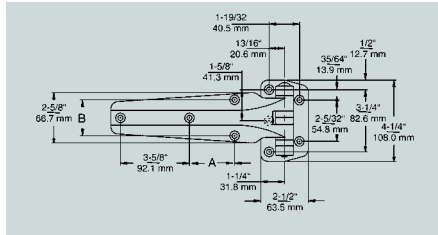
1409 :: Hinge

- **Strap Length:** 212.7mm (8 3/8")



- 1409000004** Iron Strap Hinge, Offset: 0.0mm (Flush)

1241 :: Heavy Duty Double Knuckle Hinge



- Engineered to take great stress and resist sag
- Exclusive ribbed underside construction reduces weight while adding strength

1241000004	Hinge, Offset: 0.0mm (Flush), Dimension A: 60.3mm (2 3/8"), Dimension B: 47.6mm (1 7/8")
1241000008	Hinge, Offset: 28.6mm (1 1/8"), Dimension A: 60.3mm (2 3/8"), Dimension B: 47.6mm (1 7/8")
1241H00004	Hinge, Offset: 0.0mm (Flush), Dimension A: 43.6mm (1 23/32"), Dimension B: 42.9mm (1 11/16")
1241S00004	Hinge, Offset: 0.0mm (Flush), Dimension A: 30.2mm (1 3/16"), Dimension B: 44.4mm (1 3/4")

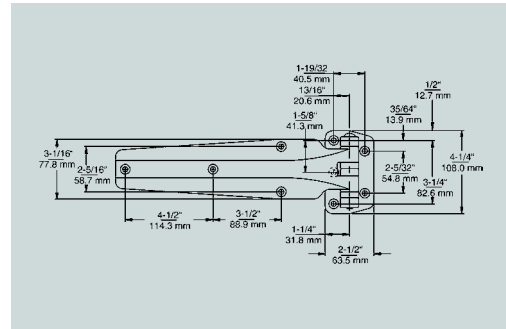
- **Material:** High pressure die-cast zinc with stainless steel pin and nylon bearings
- **Finish:** Polished chrome
- **Offsets:** See order information, below
- **Strap Length:** 228.6mm (9")
- **Mounting:** Holes drilled and countersunk for 6.0mm (1/4") screws. Strap available with three different mounting hole locations; refer to dimensions A and B on drawing
- **Load Rating:** See Hinge Selector Chart, Group D

1251 :: Heavy Duty Double Knuckle Hinge



Exclusive ribbed construction

- Longer version of Kason 1241 hinge
- Exclusive ribbed underside construction reduces weight while adding strength
- **Material:** High pressure die-cast zinc with stainless steel pin and nylon bearings
- **Finish:** Polished chrome
- **Offsets:** See order information, below
- **Strap Length:** 304.8mm (12")
- **Mounting:** Holes drilled and countersunk for 6.0mm (1/4") screws
- **Load Rating:** See Hinge Selector Chart, Group D



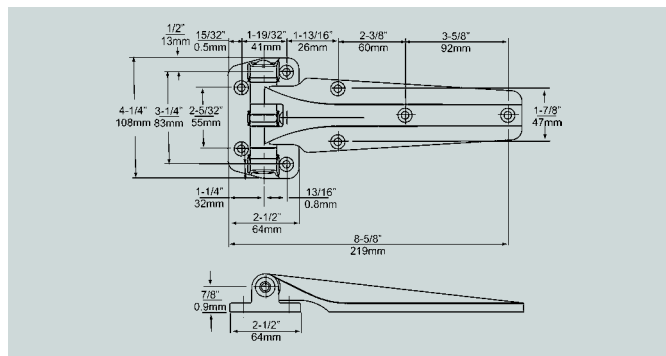
1251000008	Hinge, Offset: 28.6mm (1 1/8")
1251000012	Hinge, Offset: 31.8mm (1 1/4")
1251000016	Hinge, Offset: 34.9mm (1 3/8")

1341 :: Stainless Steel Double Knuckle Hinge



- Classic Kason design in high strength polished stainless steel
- Engineered to accept extreme stress and resist door sag
- Ultimate hinge for use in process plants, harsh outdoor weather and caustic environments
- Resists abuse and tampering
- Order right hand and left hand separately
- Double thrust washers provide smoothest operation

- **Material:** 304 Stainless steel with stainless pin and nylon bearings
- **Finish:** Polished
- **Offset:** Flush
- **Strap Length:** 228.6mm (9")
- **Mounting:** Holes drilled and countersunk for 6.0mm (1/4") screws
- **Load Rating:** See Kason Hinge Selector Chart, Group D



1341000003	Stainless Steel Strap Hinge, Flush Left Hand
1341000004	Stainless Steel Strap Hinge, Flush Right Hand

1377S :: Stainless Steel Self-Closing Hinge

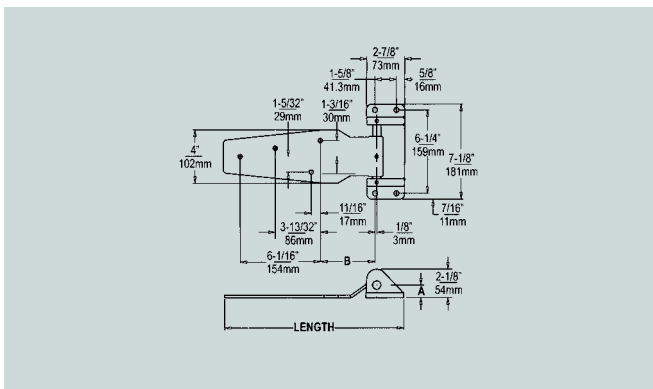
- Self-closing, cam-rise hinge is extra rugged for challenging applications
- Precision-machined stainless steel cams gently raise and lower large doors
- Cam action assures effortless opening and less gasket wear
- Strap reverses for right or left opening doors without disassembly
- **Material:** Polished 316 Series stainless steel flange, 5mm (3/16") thick strap and 16mm (5/8") diameter cam pins
- **Offset:** See order information, below
- **Strap Length:** 294mm (11 5/8")
- **Mounting:** Holes drilled and countersunk for 10mm (3/8") screws
- **Load Rating:** See Kason Hinge Selector Chart, Group G.



1377S00004



1377S00008



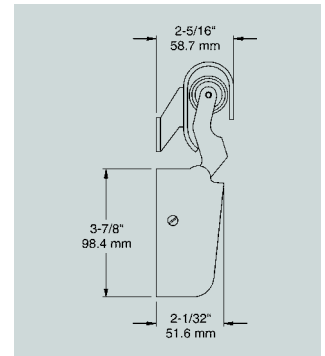
1377S00004 Stainless Steel Self-closing Hinge, Offset: Flush, Length: 342.9mm (13 1/2") Dim. A: 23.8mm (15/16"), Dim B: 100.8mm (3 31/32")

1377S00008 Stainless Steel Self-closing Hinge, Offset: 29mm (1 1/8"), Length: 346.1mm (13 21/32") Dim. A: 23.8mm (15/16"), Dim B: 104.0mm (4 3/32")

1091 :: Spring Action Door Closer



- Automatically closes door from 10° off closed position
- Easy installation
- Furnished with grey polystyrene cover



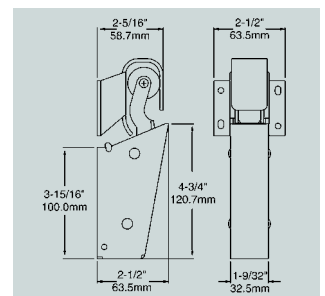
- **Material:** Steel with polystyrene cover
- **Finish:** Kasonized
- **Offsets:** See ordering information
- **Mounting:** Housing drilled for 5.5mm (No. 12) screws. Strike drilled for 5.0mm (No. 10) screws

1091000004 Closer, Hook Offset: 0.0mm (Flush), Finish: Kasonized

1091000008 Closer, Hook Offset: 28.6mm (1 1/8"), Finish: Kasonized

1095 :: Spring Action Door Closer

- Operates by direct force adding to natural swing momentum of closing door
- Designed to overcome slowing action of gaskets and air pressure. Provides fast, full closure for heavy walk-in doors
- Easy installation; simply snaps onto concealed mounting plate
- Simple spring mechanism gives long, trouble-free life
- Patented solid steel housing and bend-resistant hook assure long wear in heavy use
- Rubber roller ensures quiet operation
- Ideal complement for Kason Walk-in door hardware to provide self-closing doors



- **Material:** Steel housing and strike
- **Finish:** Bright chrome
- **Mounting:** Holes drilled for 5.0mm (No. 10) screws

1095000013 Spring Action Door Closer

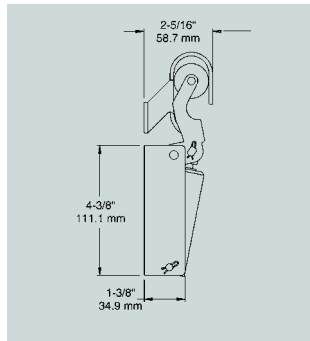
1094000025 Hook for 1095 Door Closer, Offset: 0.0mm (Flush)

1094000029 Hook for 1095 Door Closer, Offset: 28.6mm (1 1/8")

1092 :: Hydraulic Door Closer



- Brakes movement, shuts door noiselessly and keeps it closed
- Recloses door opened as result of temperature-pressure build up
- Long-wearing



- **Material:** Steel
- **Finish:** Kasonized
- **Mounting:** Holes drilled for 5.0mm (No. 10) screws

1092000004 Hydraulic Door Closer, Hook Offset: 0.0mm (Flush)

1092000008 Hydraulic Door Closer, Hook Offset: 28.6mm (1 1/8")

1094 :: Hydraulic Door Closers

1094 Sure Close™ Hydraulic Door Closers

- Powerful gas-loaded hydraulic cylinder guarantees controlled closure
- Exposed and concealed mounting models
- Patented solid steel enclosed housing and bend-resistant hook assure long wear in heavy use
- Extra-wide hook ensures roller pick-up and overcomes alignment problems
- Life-cycle tested to operate reliably even after a half-million closures. Easily replaces any conventional door closer
- Perfect complement for Kason Walk-in hinges and latches where self-closing doors with controlled closure are needed

1094 Concealed / Exposed Mounting

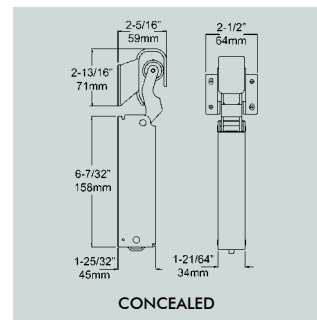


CONCEALED

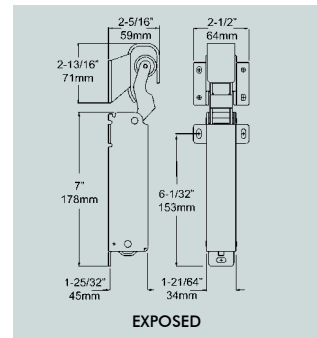
EXPOSED

1094S Dual-Speed Hydraulic Door Closers

- All the features of the 1094 Sure Close, with the additional benefit of a specially developed snubbing mechanism. Initial fast closing action allows unit to withstand slamming force, while secondary, slower action provides gradual closing to lessen final impact



CONCEALED



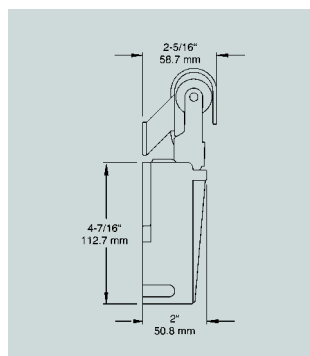
EXPOSED

- **Material:** Heavy gauge steel
- **Finish:** Polished or brushed chrome
- **Mounting:** Holes drilled for 5.0mm (No. 10) screws

1093 :: Hydraulic Door Closer



- Quiet, efficient hydraulic closer
- White plastic cover
- Can replace competitors' models



- **Material:** Steel
- **Finish:** Chrome
- **Cover:** White plastic
- **Mounting:** Holes drilled for 5.0mm (No. 10) screws

1093000004 Hydraulic Door Closer, Hook Offset: 0.0mm (Flush)

1093000008 Hydraulic Door Closer, Hook Offset: 28.6mm (1 1/8")

1094000002 Closer, Exposed Mounting, Brushed Chrome Finish

1094000003 Closer, Exposed Mounting, Polished Chrome Finish

1094000012 Closer, Concealed Mounting, Brushed Chrome Finish

1094000013 Closer, Concealed Mounting, Polished Chrome Finish

1094S00003 Dual Closer, Exposed Mounting, Polished Chrome Finish

1094S00012 Dual Closer, Concealed Mounting, Brushed Chrome Finish

1094S00013 Dual Closer, Concealed Mounting, Polished Chrome Finish

1094000024 Hook for 1094, Offset: 0.0mm (Flush), Brushed Chrome Finish

1094000025 Hook for 1094, Offset: 0.0mm (Flush), Polished Chrome Finish

1094000028 Hook for 1094, Offset: 28.6mm (1 1/8"), Brushed Chrome Finish

1094000029 Hook for 1094, Offset: 28.6mm (1 1/8"), Polished Chrome Finish

556 :: Stainless Steel Latch



- The Walk-In latch unsurpassed for reliability, is now available for the most challenging applications
- The 556 is the tough, stainless steel model of the time tested 56 standard latch
- The 556 features unequalled strength and corrosion resistance
- Tamper-resistant locking mechanism and mounting are built in
- Bolt-type tongue has positive locking action
- Patented, adjustable roller strike assures precise adjustment
- **Material:** Polished, #316 stainless steel body and strike housing with #304 stainless steel roller
- **Mounting:** Holes drilled and countersunk for 6.0mm (1/4") screws

Latches

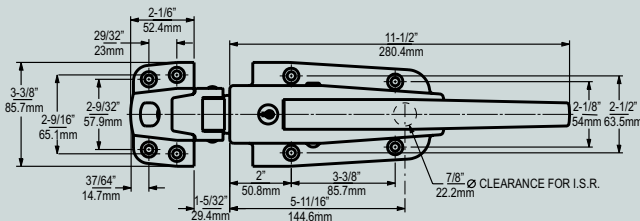
556CL5020.106 Stainless Steel Padlocking Latch body, Light Spring, with 106 key

Strikes

556005002 Stainless Steel Strike, Flush: -3.0mm to 19mm (-1/8" to 3/4")

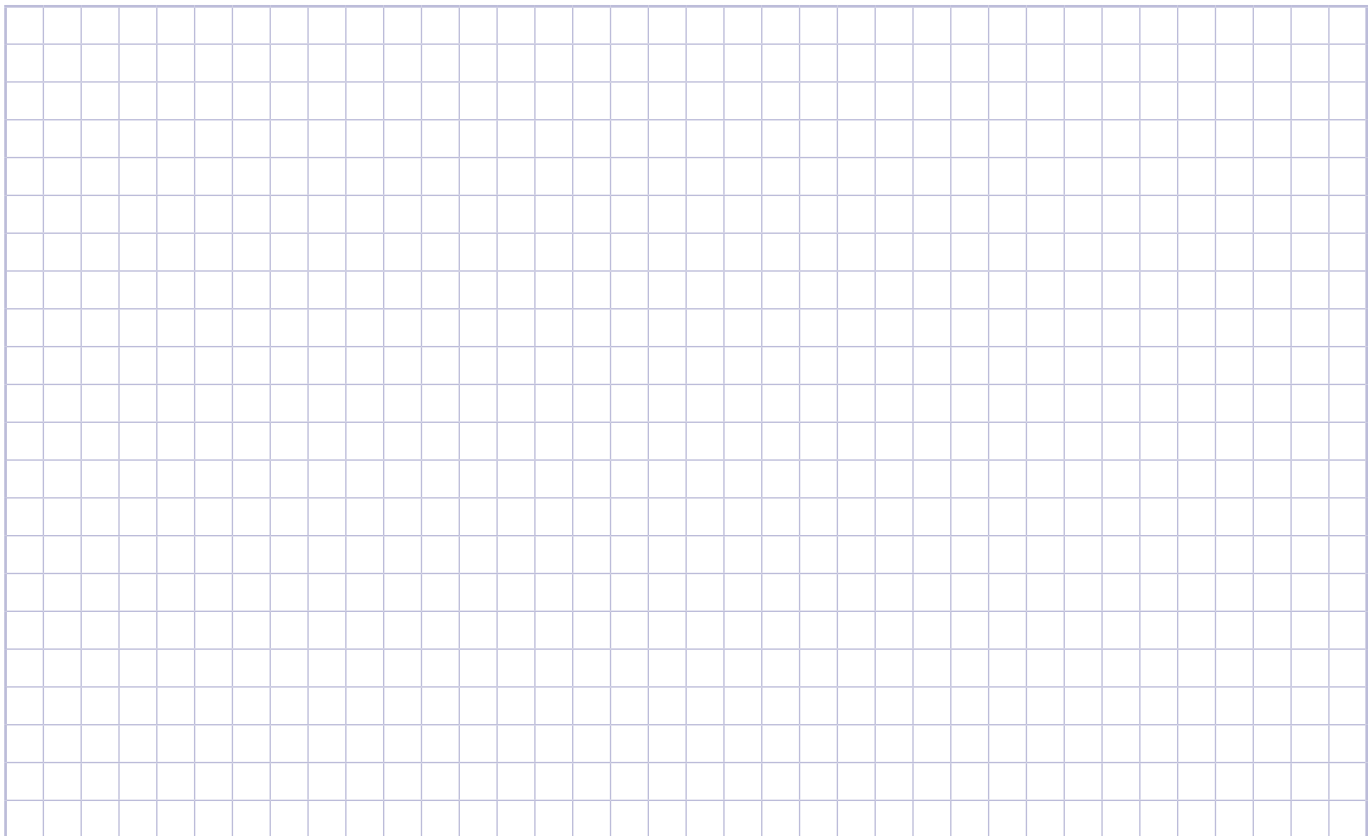
556005003 Stainless Steel Strike, Offset: 19.0mm to 41mm (3/4" to 1 5/8")

556005004 Stainless Steel Strike, Offset: 41.3mm to 63.5mm (1 5/8" to 2 1/2")



Inside Release Handle

487A Frost-Free Push Handle

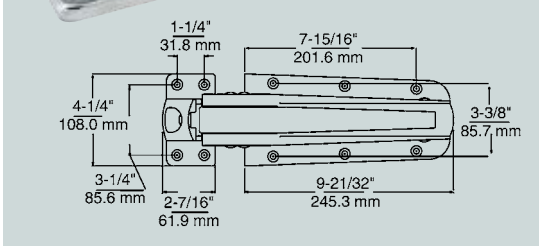


55 :: Heavy Duty Latch



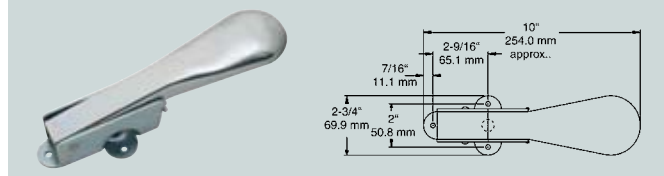
- This pioneering refrigeration equipment safety latch has been imitated but never matched in rugged mechanical features and value
- Designed to prevent accidental entrapment in walk-ins
- Completely equipped with surface-mounted paddle-style inside release lever
- Releases from outside or inside with minimum pressure or pull
- So easy and convenient to use that employees have no reason to leave doors ajar between loads
- Patented Kason micro-adjustable strike assures precise adjustment
- No. 55 bodies and strikes may be ordered separately

0055000020	Latch, Offset: 0mm to 4.8mm (Flush to 3/16"), Finish: Chrome
0055000024	Latch, Offset: 19.0mm to 28.6mm (3/4" to 1 1/8"), Finish: Chrome
0055000028	Latch, Offset: 28.6mm to 41.3mm (1 1/8" to 1 5/8"), Finish: Chrome
0055000032	Latch, Offset: 34.9mm to 47.6mm (1 3/8" to 1 7/8"), Finish: Chrome
0055000065	Latch, Offset: 0mm to 4.8mm (Flush to 3/16"), Finish: Tuffkote
0055000066	Latch, Offset: 19.0mm to 28.6mm (3/4" to 1 1/8"), Finish: Tuffkote
0055000068	Latch, Offset: 28.6mm to 41.3mm (1 1/8" to 1 5/8"), Finish: Tuffkote



- **Material:** High pressure die-cast zinc body and strike housing, malleable iron handle, cold rolled steel inside release paddle assembly
- **Finish:** See Order Information
- **Mounting:** Holes drilled and countersunk for 6.0mm (1/4") screws
- **Door Thickness:** Plunger rod for inside release handle fits 152.4mm (6") door. Specify other door thickness
- **Spring Options:** Specify preference as follows: 55XL - Latch with light spring. 55XXL - Latch with extra-light spring; use with Kason 486 or 489 push-type inside release

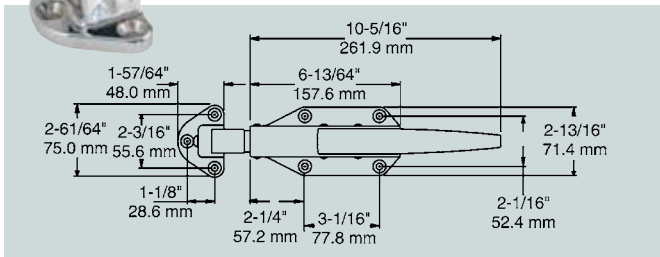
Inside Release Handle



58 :: Radial Latch :: Medium / Heavy Duty



- **For medium to heavy duty use**
- Bolt-type tongue provides positive locking action
- Proven, heavy-duty construction outlasts similar latches in hard commercial use
- Patented Kason adjustable strike assures precise adjustment
- Padlocking provision standard on all models
- Unsurpassed for long life and reliability



- **Material:** High pressure die-cast zinc body and strike housing, malleable iron handle
- **Finish:** See Order Information. Powder coated finish also available for severe environmental applications
- **Mounting:** Holes drilled and countersunk for 6.0mm (1/4") screws

Roller Strike

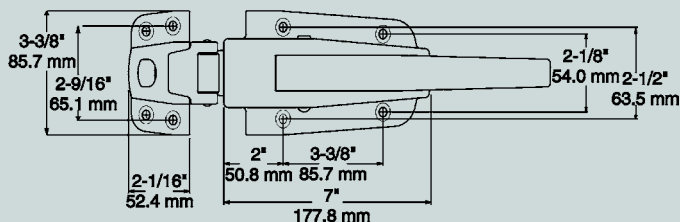
- For smooth, easy closure order No. 59 Roller Strike with No. 58 Latch Body

0059005001	Roller Strike, Offset -3.2mm to 6.4mm (-1/8" to 1/4")
0059005002	Roller Strike, Offset 19mm to 38.1mm (3/4" to 1 1/2")
0059005003	Roller Strike, Offset 44.5mm to 63.5mm (1 3/4" to 2 1/2")

0058CH5020	Cylinder Locking Body, Heavy Spring
0058CL5020	Cylinder Locking Body, Light Spring
0058H05021	Body, Heavy Spring
0058L05021	Body, Light Spring
0058005001	Strike, Offset: -3.2mm to 6.4mm (-1/8" to 1/4")
0058005002	Strike, Offset: 19.0mm to 38.1mm (3/4" to 1 1/2")
0058005003	Strike, Offset: 44.5mm to 63.5mm (1 3/4" to 2 1/2")
0058005310035K	Flat Bottomed Plate (Does not accept Inside Release Handle)

Cylinder locks may be keyed alike or differently; 5 key changes available; please specify.

56 :: Heavy Duty Standard Latch



Latches

0056CH5020	Latch, Cylinder Locking Body, Heavy Spring, Finish: Polished Chrome
0056CH6021	Latch, Cylinder Locking Body, Heavy Spring, Finish: Brushed Chrome
0056CH0086	Latch, Cylinder Locking Body, Heavy Spring, Finish: Tuffkote
0056CL5020	Latch, Cylinder Locking Body, Light Spring, Finish: Polished Chrome
0056CL6021	Latch, Cylinder Locking Body, Light Spring, Finish: Brushed Chrome
0056CL0086	Latch, Cylinder Locking Body, Light Spring, Finish: Tuffkote
0056CX5020	Latch, Cylinder Locking Body, Extra Light Spring, Finish: Polished Chrome
0056H05020	Latch, Padlocking Body, Heavy Spring, Finish: Polished Chrome
0056H06021	Latch, Padlocking Body, Heavy Spring, Finish: Brushed Chrome
0056L05020	Latch, Padlocking Body, Light Spring, Finish: Polished Chrome
0056L06021	Latch, Padlocking Body, Light Spring, Finish: Brushed Chrome
0056L00086	Latch, Padlocking Body, Light Spring, Finish: Tuffkote
0056XL5020	Latch, Padlocking Body, Extra Light Spring, Finish: Polished Chrome
0056XL6021	Latch, Padlocking Body, Extra Light Spring, Finish: Brushed Chrome
0056XL0086	Latch, Padlocking Body, Extra Light Spring, Finish: Tuffkote

Strikes

0056005002	Strike, Offset: -3.2mm to 6.4mm (-1/8" to 1/4"), Finish: Polished Chrome
0056005003	Strike, Offset: 19.0mm to 38.1mm (3/4" to 1 1/2"), Finish: Polished Chrome
0056005005	Strike, Offset: 44.5mm to 63.5mm (1 3/4" to 2 1/2"), Finish: Polished Chrome
0056005008	Strike, Offset: 76.2mm to 101.6mm (3" to 4"), Finish: Polished Chrome
0056006002	Strike, Offset: -3.2mm to 6.4mm (-1/8" to 1/4"), Finish: Brushed Chrome
0056006003	Strike, Offset: 19.0mm to 38.1mm (3/4" to 1 1/2"), Finish: Brushed Chrome
0056006005	Strike, Offset: 44.5mm to 63.5mm (1 3/4" to 2 1/2"), Finish: Brushed Chrome
0056006008	Strike, Offset: 76.2mm to 101.6mm (3" to 4"), Finish: Brushed Chrome
005600T002	Strike, Offset: -3.2mm to 6.4mm (-1/8" to 1/4"), Finish: Tuffkote
005600T003	Strike, Offset: 19.0mm to 38.1mm (3/4" to 1 1/2"), Finish: Tuffkote
005600T005	Strike, Offset: 44.5mm to 63.5mm (1 3/4" to 2 1/2"), Finish: Tuffkote

Lock

0056CM0004	Cylinder Kit for 56C Models
-------------------	-----------------------------

Cylinder locks may be keyed alike or differently; 5 key changes available; please specify.

- **For heavy duty use**
- Bolt-type tongue provides positive locking action
- Proven, heavy-duty construction outlasts similar latches in hard commercial use
- Patented Kason adjustable strike assures precise adjustment
- Padlocking provision standard on all models
- Unsurpassed for long life and reliability
- **Material:** High pressure die-cast zinc body and strike housing, malleable iron handle
- **Finish:** See Order Information. Powder coated finish also available for severe environmental applications
- **Mounting:** Holes drilled and countersunk for 6.0mm (1/4") screws



New

Stainless Steel KASON Hardware

556 :: Stainless Steel Latch



See Page
69

1377S :: Stainless Steel Self-Closing Hinge



See Page
67

1341 :: Stainless Steel Double Knuckle Hinge



See Page
66

KASON WALK-IN HARDWARE

Inside Release Handles

- Required with walk-in latches
- Use the convenient tables in the "How To..." section on this page to choose and order the correct inside handle for each Kason latch selected
- See selection chart below

481 :: Safety-Glow™ Push Handle



- Glow-in-the-dark knob is always visible
- **Material:** Steel rod and flange; Safety-Glow™ plastic knob
- **Finish:** Kasonized
- **Mounting:** Holes drilled for 5.0mm (No. 10) screws

482 :: Hi-Temp Push Handle



- Provided with steel rod and tough iron knob for high heat applications
- **Material:** Steel rod and flange; iron knob
- **Finish:** Kasonized
- **Mounting:** Holes drilled for 5.0mm (No. 10) screws

487 :: Frost-Free Push Handle



- Furnished with low-conduction fiberglass rod for low-temp applications
- **Material:** Fibreglass rod, plastic flange; Safety-Glow™ plastic knob
- **Mounting:** Holes drilled for 5.0mm (No. 10) screws

483 :: Paddle Handle



- **Material:** Steel
- **Finish:** Kasonized
- **Mounting:** Holes drilled for 5.5mm (No. 12) screws

CAUTION:

Proper selection and installation of Kason inside release handles can prevent entrapment inside coolers, freezers and other walk-in units when used with the appropriate Kason latches. Please select carefully for your application and use only as directed.

How To Select and Order Inside Release Handles

- 1 From Table A choose the appropriate inside release handle for each latch.
- 2 Refer to Table B for minimum door thickness required for each inside release model.
- 3 Specify exact thickness of your door. We will use this information to convert your requirements into our part numbers.

Table A :: Select by Latch Suitability

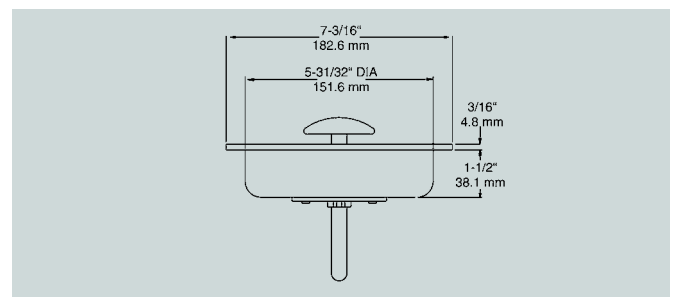
Latches	Inside Release Handles
55XXL	486D, 489D
56	483, 481A, 482A, 486A, 487A, 489A
58	481C, 482C, 486C, 487C, 489C

Inside Release Handles :: Recessed



- **Material:** Kasonized steel rod, plastic recessed housing, Safety-Glow™ plastic knob
- **Option:** No.s 486 and 489 available with frost-resistant fiberglass rods
- **Mounting:** Holes drilled for 5.0mm (No. 10) screws

486 :: Wide Recessed Handle



489 :: Narrow Recessed Handle

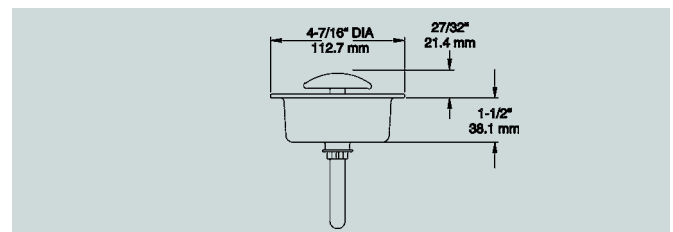
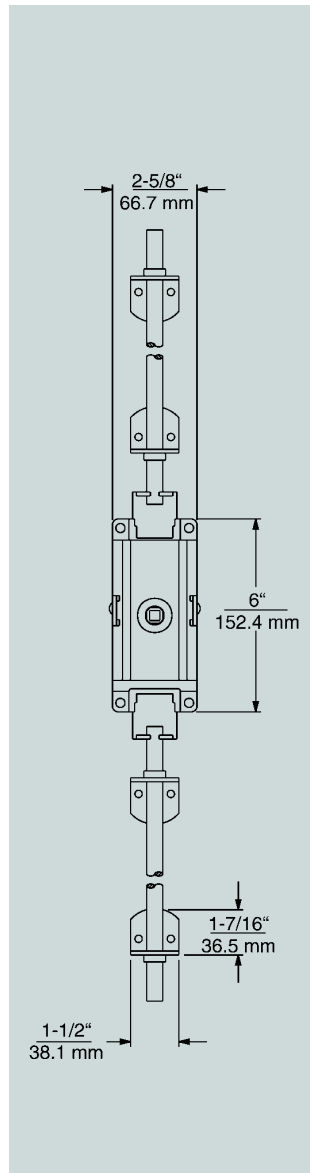


Table B :: Select by Door Thickness

Minimum Door Thickness	Inside Release Handles
38.1mm (1 1/2")	481C, 482C, 483, 487C
63.5mm (2 1/2")	481A, 482A, 487A
68.3mm (2 11/16")	486D
69.9mm (2 3/4")	489D
76.2mm (3")	481B, 482B, 486B, 486C, 487B
82.6mm (3 1/4")	489B, 489C
95.3mm (3 3/4")	486A
101.6mm (4")	489A

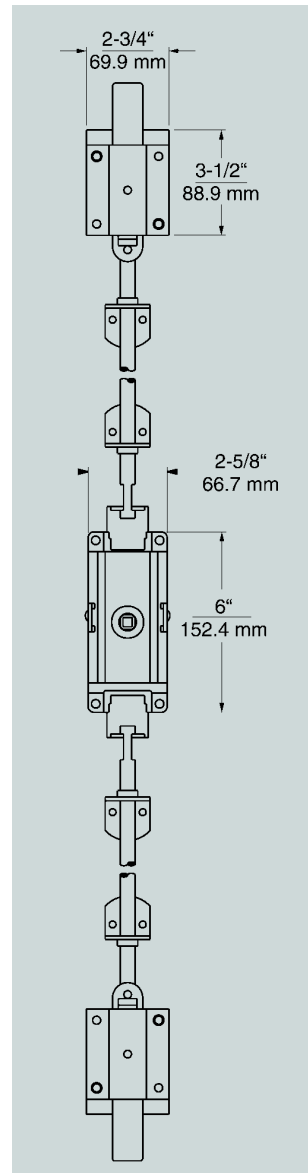
0160 :: Two-point Bolt-action Latch

- Bolt action Latch
- **Material:** Steel
- **Maximum Projection:** 25.4mm (1")
- **Latch:** Consists of one centre mechanism, 2 end points and rod guides
- **Rods:** 12.7mm (1/2") diameter steel rods (850mm (2' 9 15/32") available, please order separately)
- **Mounting:** Holes drilled and countersunk for 5.5mm (No. 12) screws
- **Other:** Centre mechanism available separately



0167 :: Slam and Take-up Latch

- For medium and heavy duty doors
- **Material:** Steel
- **Maximum Projection:** 38.1mm (1 1/2")
- **Latch:** Consists of one centre mechanism, 2 end points and rod guides
- **Rods:** 12.7mm (1/2") diameter steel rods (850mm (2' 9 15/32") available, please order separately)
- **Mounting:** Holes drilled and countersunk for 5.5mm (No. 12) screws
- **Other:** Centre mechanisms, end points and rods available separately



KASON WALK-IN HARDWARE

0160 Two Point Latch

0167 Slam and Take-up Latch
0167S Strike Plate

Trapped Person Alarm

- Trapped-persons alarm for Walk-In chill/freezer rooms manufactured in accordance to EN378-1 (formerly BS4434)

Trapped Person Alarm :: Complete Kit



TPA1 Push Button

+



TPA2 Sign

+



TPA3 Battery

+



TPA4 Siren (Optional)

TPACOMPLETE	Push Button (TPA1), Sign (TPA2) and Battery (TPA3)
TPA4	Optional Satellite Siren Box

Internal Push-Button



- Emergency Push-Button station with key, built-in light source (diodes)
- The Push-Button station must be installed adjacent to the Freezer Room Door, if possible close to the Internal Door Handle. In larger Freezer Rooms additional Push-Button stations must be installed every 10 metres
- As the built-in light source is connected to the battery it will continue to glow for 10 hours after mains power failure
- Push-button's construction and colour is in accordance with DS/EN1838 and DS/EN734.1

TPA1
Internal Push-Button

External Battery Box with Battery Charger



- Battery box containing one 12V DC battery, battery charger, siren and lamp for activated signal. The battery box contains clear instructions for action in the case of emergency
- **Power:** 240V AC - connection to own fuse
- **Siren:** 80dB at 1 meter, 5-12V DC
- **Lamp:** Red blinking, 5-12V DC
- **Protection:** IP65

TPA3
External Battery Box with Battery Charger

Sign



- Sign with emergency instructions
- The Sign must be installed next/above/below the Internal Push-Button
- The sign's construction and colour is in accordance with DS/EN1838 and DS/EN734.1

TPA2
Sign, for Push-Button

Satellite Siren Box

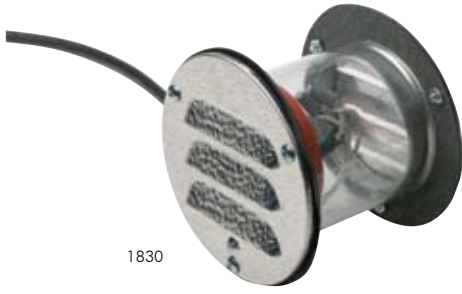


- Can be installed in for example nearby offices or canteens to ensure that an activated signal can be heard
- The Satellite siren box requires connection to a complete alarm system

TPA4
Satellite Siren Box

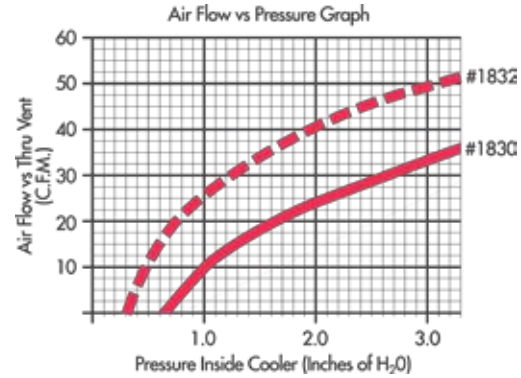
KASON WALK-IN HARDWARE

1830 Series :: Ventilator Ports



1830

- Improved to increase airflow for easier opening and closing
- Protects from structural damage because of temperature/pressure build up
- Compensates for air expansion and contraction
- Heated models available for freezer applications
- **Material:** Body - All metal parts are aluminium. Internal sleeve - self-extinguishing Lexan
- **UL Listing:** File No. E57306
- **Diameter:** See ordering information
- **Length:** Standard for 101.6mm (4") wall thickness; other lengths available. Specify exact wall thickness; we will convert to our part number
- **Mounting:** May be mounted through wall or ceiling. Drilled for 4.0mm (No. 8) screws
- **Electrical Requirements:** See ordering information



Comprehensive performance testing has shown that Kason 1830 Series ventilators have better air flow and frost resistance than competitively sized units.

1830 :: Heated 4" Vent

- 129.4mm (5 3/32") diameter round aluminium cover plate

1830000004 Heated Vent, 23W, 0.2A @ 115VAC

1830000008 Heated Vent, 23W, 0.1A @ 220VAC

1830000016 Heated Vent, 20W, 0.8A @ 24VAC

1834 :: Non-Heated 4" Vent

- Same as 1830, except without heating element

1834000004 Non-Heated Vent

1832 :: Hi-Flow Heated 6" Vent



- 165.1mm (6 1/4") diameter round aluminium cover plate or square stainless steel or aluminium cover plate available

Square aluminium or stainless steel louvred cover plate, complete with gasket, available for models 1832 and 1836

183200000806 Heated Vent, 23W, 0.1A @ 220VAC

1832000004 Heated Vent, 23W, 0.2A @ 115VAC

1832000016 Heated Vent, 20W, 0.8A @ 24VAC

1832SA0004 Heated Vent w/Square Aluminium Louvre, 115VAC

1832SS0004 Heated Vent w/Square Stainless Steel Louvre, 115VAC

1832SA0001 Square Aluminium Louvre for 1832 Vent

1832SS0001 Square Stainless Steel Louvre for 1832 Vent

1836 :: Hi-Flow Non-Heated 6" Vent

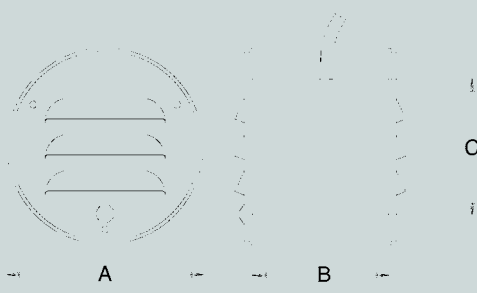
- Same as 1832, except without heating element

1836000004 Non-Heated Vent

1836SA0001 Non-Heated Vent w/Square Aluminium Louvre, 115VAC

1836SS0001 Non-Heated Vent w/Square Stainless Steel Louvre, 115VAC

KASON WALK-IN HARDWARE



	A	B*	C
1830	129.4mm (5 3/2")	101.6mm (4")	88.9mm (3 1/2")
1834	129.4mm (5 3/2")	101.6mm (4")	88.9mm (3 1/2")
1832	165.1mm (6 1/4")	101.6mm (4")	117.5mm (4 5/8")
1836	165.1mm (6 1/4")	101.6mm (4")	117.5mm (4 5/8")

*Other lengths available. Please Specify.

These ventilators are for a 101.6mm (4") thick wall. When other length is required, specify exact wall thickness. We will convert your individual requirement into our part number.

1825/1830 Series Ventilator Quantity Selector

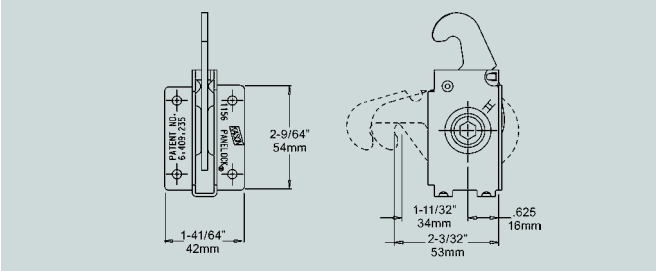
Size of Cooler (ft)	Volume of Cooler (cubic ft)	Number of Ventilators Required			
		-17.8°C to -12.2°C (0°F to 10°F)		-34°C to -17.8°C (-30°F to 0°F)	
		1830	1832	1830	1832
5x5x7	175	1	1	1	1
10x10x7	700	1	1	1	1
15x15x7	1575	1	1	1	1
20x20x7	2800	1	1	2	1
25x25x7	4375	2	1	3	2
30x30x7	6300	2	1	3	2
35x35x7	8575	2	1	3	2
40x40x7	11200	3	2	4	2
45x45x7	14175	3	2	4	2
50x50x7	17500	4	2	5	3
55x55x7	21175	4	2	6	3
60x60x7	25200	5	3	7	4

Panel Fastener :: 1156A & B Locking Points

1156A



- Typical application for tongue and groove rails where fasteners are nailed or stapled to rails
- Housing designed to resist spreading in high density foam rails under heavy loading

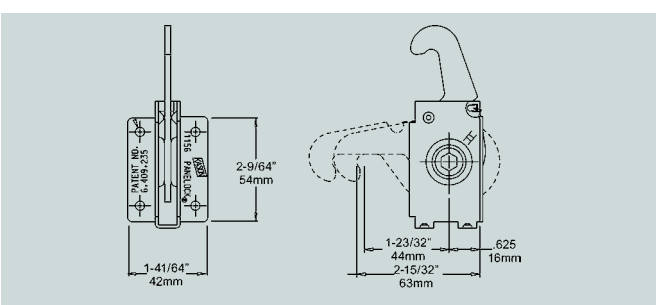


1156A00002 Rigid Rail Locking Point

1156B



- Same as No. 1156A, except with 9.5mm (3/8") additional hook reach; for use with butt joint panels or thick rails



1156B00004 Rigid Rail Locking Point

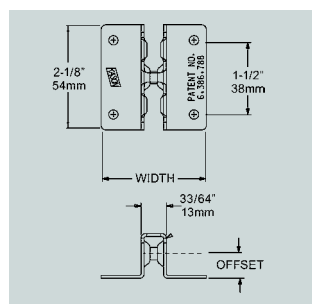
1145 :: Hex Wrench



- **Material:** Steel or hardened steel
- **Size:** 152.4mm x 152.44mm (6" x 6")

1155 :: Strike

- Kason's unbreakable panel fastener strikes will not let go even under the most severe conditions
- Engineered to be the best for use in rigid rail systems, they specifically resist spreading, which can cause other types of rigid rail strikes to pop open
- The Kason No.1155 actually gets stronger the harder it is pulled
- Flange-mounted enclosed strikes eliminate the need to drill a hole for pins
- Large flanges help spread the load when used on soft materials
- Available in pin-to-flange offsets to suit a wide variety of rail thicknesses
- Centerline mark provided for easy positioning



1155000437	Strike, Offset: 11mm (7/16"), Width : 54mm (2 1/8")
1155000500	Strike, Offset: 13mm (1/2"), Width : 51mm (2")
1155000625	Strike, Offset: 16mm (5/8"), Width : 44mm (1 3/4")
1155000688	Strike, Offset: 18mm (11/16"), Width : 41mm (1 5/8")
1155000750	Strike, Offset: 19mm (3/4"), Width : 38mm (1 1/2")
1155000812	Strike, Offset: 21mm (13/16"), Width : 35mm (1 3/8")
1155001125*	Strike, Offset: 29mm (1 1/8"), Width : 38mm (1 1/2")

*Different style than that pictured

Snap-In Finish Caps

1138 Finish Cap



- Used to cover wrench hole borings
- **Material:** Polyethylene
- **Finish:** Opaque white or grey
- **Size:** 19.0mm (3/4") diameter

1147 Finish Cap



- **Material:** Brass
- **Finish:** Chrome
- **Size:** 12.7mm (1/2") diameter

KASON WALK-IN HARDWARE

Foamed-In-Place Panel Fasteners

- Ideal for prefabricated foam-insulation panel
- High impact polystyrene housing provides exceptional strength
- Kason's time-tested, high strength steel hook and pin with die-cast cam ensure precision locking
- Pull-out strength tested to 291kg
- Slotted wings permit maximum flow of foam
- Jig fixing holes and pins assure correct fit
- **Material:** High impact styrene housings, 3mm (1/8") steel hook, die-cast cam
- **Dimensions:** Fixing Centres - 122mm, Fixing Hole Diameter - 8mm / 10mm, Extended Hook - 39mm, Retracted Hook - 28mm

1172 Panel Fasteners



- For use in 73mm, 100mm and 150mm panels

1172000010 Hook Assembly

1172000014 Strike Assembly

1174 Panel Fasteners



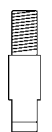
- Use in narrower wall panels and ceiling panels where space is restricted

1174000010 Hook Assembly

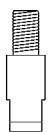
1174000014 Strike Assembly

Jig Pins

- Each Pin is machined differently to ensure accurate fastener mounting
- See ordering table for correct usage



K100



K200



K300



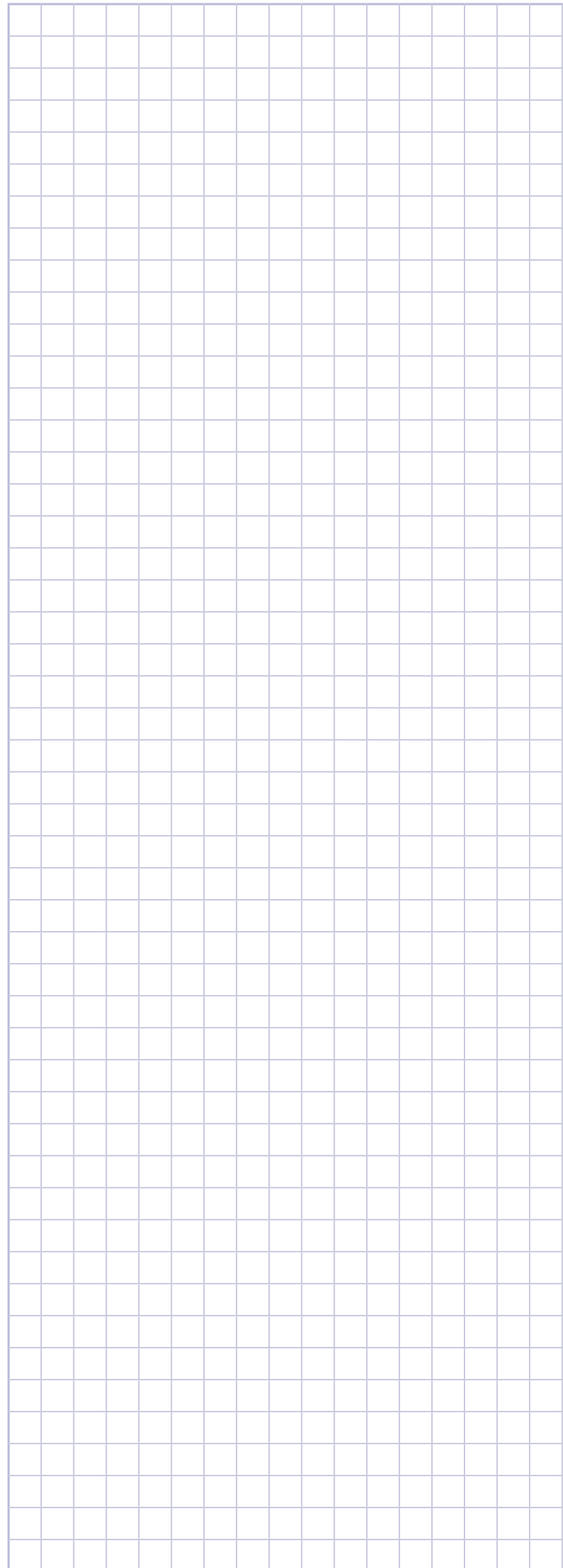
K400

K100000000 Jig Pin for 1172/1174 Strike

K200000000 Jig Pin for 1172/1174 Hook

K300000000 Jig Pin for 1172/1174 Hook

K400000000 Jig Pin for 1172/1174 Strike



KASON WALK-IN HARDWARE